

Switchboard Telephone Intercoms Series 144 Installation Procedures

OPERATING INSTRUCTIONS

Any of the three Switchboards may call and communicate with any phone station. Any phone station may call any of the three Switchboards selectively and converse in complete privacy.

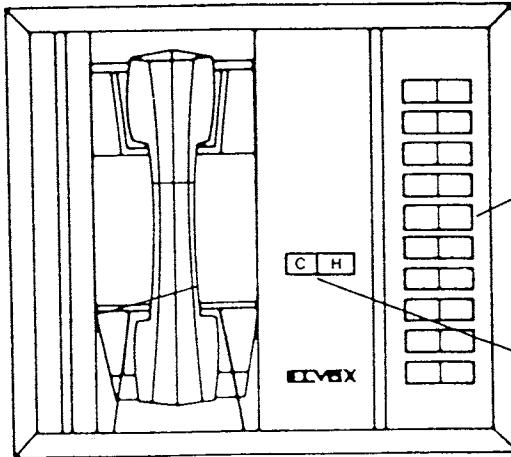
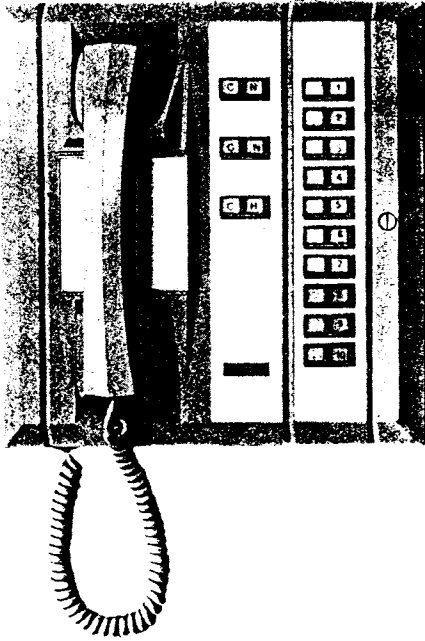
CALL FROM PHONE STATION

Lift handset of phone, select switchboard desired (No. 1 - 2 or 3) and depress the corresponding ring pushbutton on the phone base. A line button corresponding to the calling phone station will light and the buzzer in the board shall sound. The buzzer shall sound for as long as the ring button is pushed down. The operator at the Switchboard shall lift the handset, depress the lighted button and converse with the station. When the line button at the board is depressed, the light becomes brighter indicating that the button is engaged. At the end of the conversation the line button at the board should be returned to the upper position.

Should another station call while a conversation between the board and a station is in progress, the button corresponding to the calling station will light at half brightness, indicating to the operator that another station is calling. As soon as the operator engages the line button, the light goes to full brightness.

CALL FROM THE SWITCHBOARD

Lift handset, select the desired station and press the corresponding line button. Press ring button marked CH. The station buzzer will sound for as long as the call button CH is pushed down. The operator may call more than one station, if so desired, and converse with all stations simultaneously.

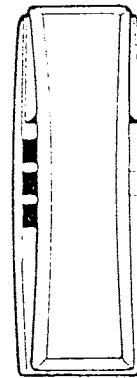


Model 144

LINE
SELECTORS

RING
BUTTON

RING 1
RING 2
RING 3



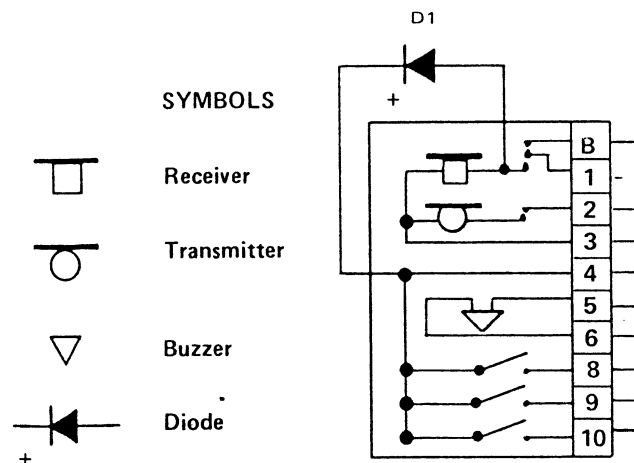
Model 803/144

alpha
COMMUNICATIONS SYSTEMS

42 CENTRAL DRIVE
FARMINGDALE, NY 11735-1202
(631) 777-5500
FAX: (631) 777-5599

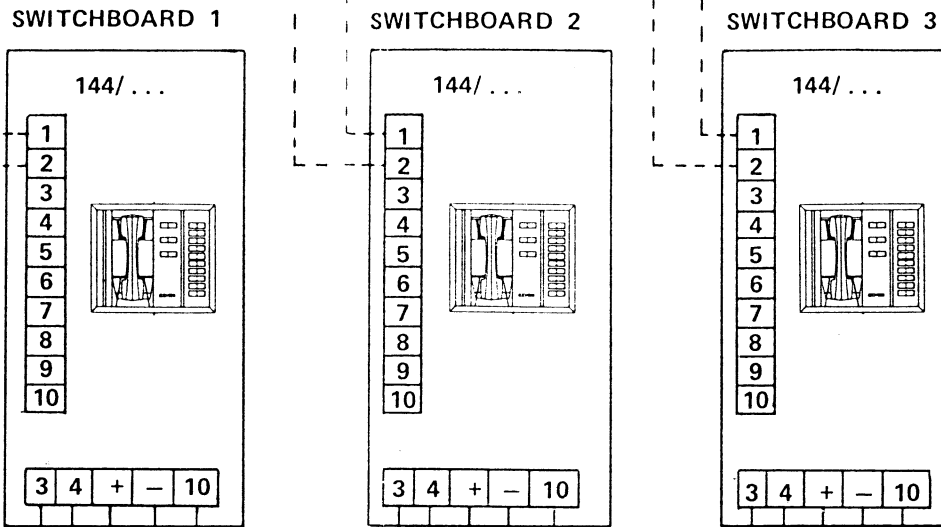
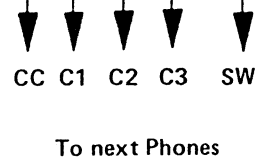
PHONE INTERNAL WIRING

The Diodes D1 and D2 and bridges between Terminals 4 and 5 and 2 and 6 are already factory installed internally.



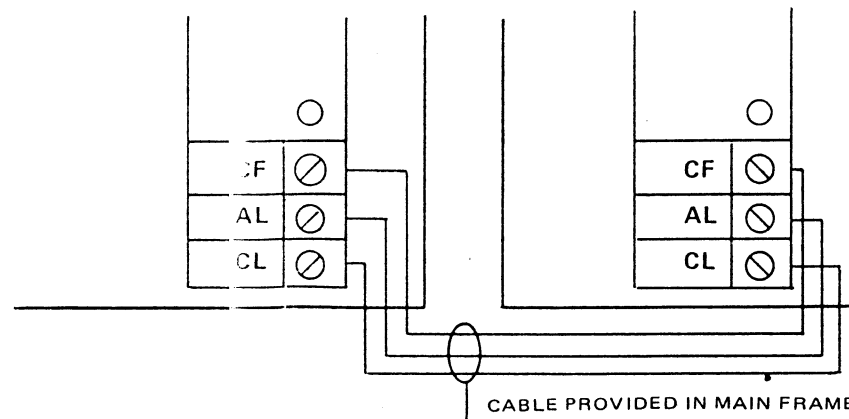
Model 803/144 Phone

- CC = Common Calls
- C1 = Call Line 1
- C2 = Call Line 2
- C3 = Call Line 3
- SW = Section Wire (Ring and Talk Line)



MAIN FRAME

MODULE



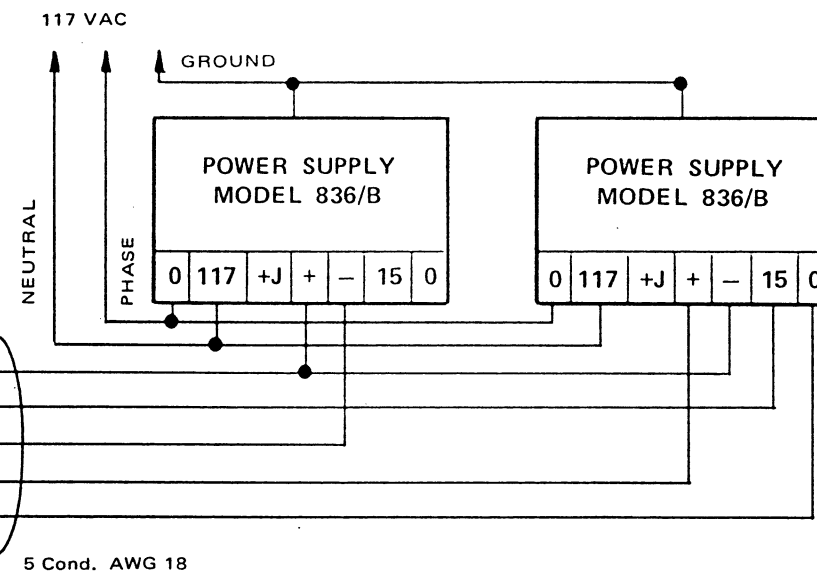
SWITCHBOARD INTERNAL CONNECTIONS

WIRING REQUIREMENT

Connect Power Supplies and Switchboards as shown using 5 conductors AWG 18 wire. RESPECT POLARITY OF POWER SUPPLIES DC OUTPUTS.
NOTE: Install 117 Volts AC power cables in a conduit, connect to power supplies and ground properly. (Respect local electrical codes)

PHONES

Connect phone stations to switchboards by using four common conductors and one section conductor for each phone. With No. 22 AWG wire, the maximum distance between the switchboards and the farthest station in the system, may be up to 1000 feet. A multi-conductor cable in one jacket may be used. Assign 4 conductors as the common wires and the others as individual section wires, one for each station covered by each riser or run.



SWITCHBOARD INTERNAL CONNECTIONS

To gain access to the interior of the switchboard, remove screw located on the right hand side and swing out the board upper part mounted on hinges.

SECTION WIRE TERMINALS

The section wire terminals (Ring Lines) are located immediately behind the switchboard line selector pushbuttons. Connect ring lines from phones directly to these terminals.

MULTIPLE SECTION SWITCHBOARDS

Switchboards with more than 120 lines, may be supplied on more than one section (Main Frame plus Module). In this case, after the sections are mounted in their final location, wire the sections together by using the cable provided and connecting Terminals CF - AL - CL in parallel. See diagram.



42 Central Drive
Farmingdale, NY 11735-1202
TOLL-FREE 1-800-666-4800

Phone (631) 777-5500 Fax: (631) 777-5599
Email: info@alpha-comm.com
Internet: http://www.alpha-comm.com