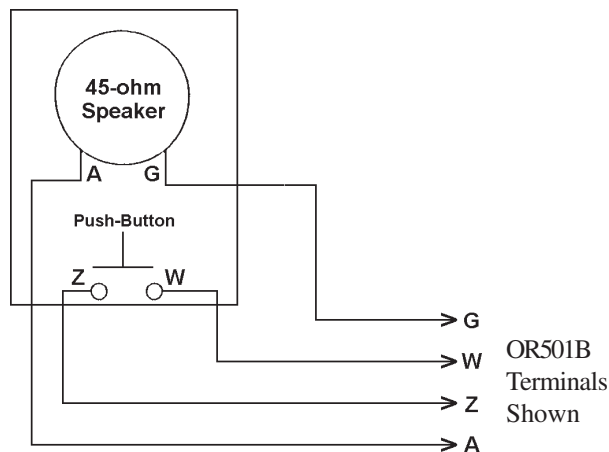


**NOTE:** The OR502SS remote comes out of the box in a 4-wire configuration. It can be used as a 4-wire remote, or it can be modified (depending upon the system it is used with) as a 3-wire or 2-wire remote. Use this wiring guide to assist you in wiring the OR502SS correctly, depending upon your system.

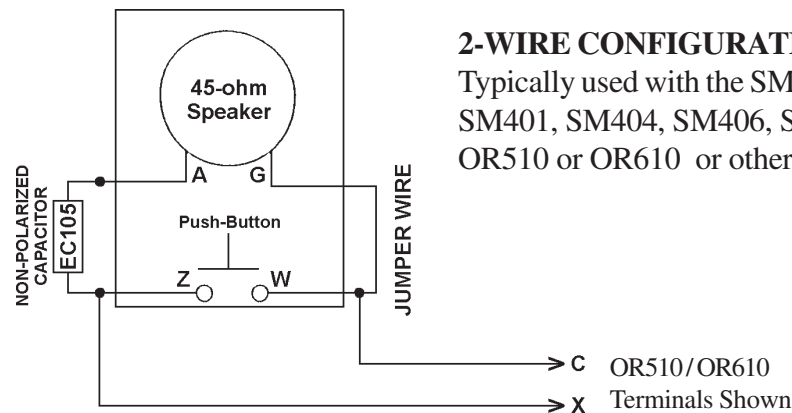
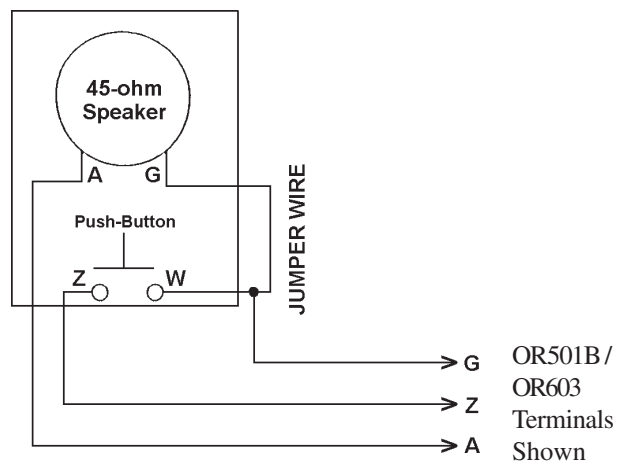
**4-WIRE CONFIGURATION:**

Typically used with the IA543, PK543A, PK543, PK101A, PK103B, or PK104B systems(s). Replaces the model OR501B or other 4-wire remotes.



**3-WIRE CONFIGURATION:**

Typically used with the PK704, PK724, EK714A, SM103B, SM103BD, or NC150N system(s). Replaces the OR501B, OR603/W or other 3-wire remotes.



**2-WIRE CONFIGURATION:**

Typically used with the SM201B, SM203B, SM205, SM210, SM401, SM404, SM406, SM411 system(s). Replaces the OR510 or OR610 or other 2-wire remotes.



**INSTALLATION GUIDELINES and GENERAL INFORMATION:**

1. See the specific system wiring diagram for the balance of the wiring connections required.
2. All low voltage wiring is #22 AWG, unless otherwise noted.
3. Observe all local and national electrical codes.

 <p>42 Central Drive, Farmingdale NY 11735-1202          (631) 777-5500 Fax: (631) 777-5599  <b>TOLL-FREE Technical Line 1-800-666-4800</b>          Email: info@alphacommunications.com</p>	<p><b>TYPICAL WIRING INSTRUCTIONS          FOR OR502SS REMOTE STATION(S)</b></p> <p>Showing connections for 2,3 and 4 wire remote station configurations for various intercom systems</p>
---	---