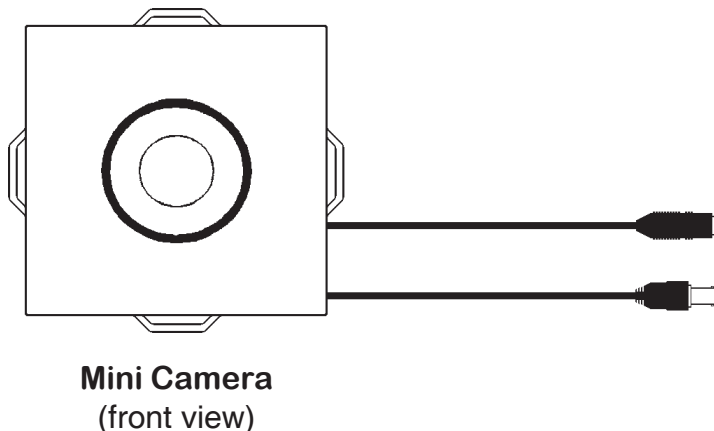

DO NOT CONNECT THIS CAMERA'S POWER ACCORDING TO THE WIRING DIAGRAM SUPPLIED WITH YOUR VIDEO-INTERCOM SYSTEM. THIS CAMERA IS POWERED BY IT'S OWN PLUG-IN POWER SUPPLY WHICH IS SUPPLIED WITH THE CAMERA.
POLARITY MUST BE OBSERVED!!



Plug-In Connector for
Model **SS12P** 12VDC
Power Supply (included)

Twist-On (BNC) Connector
for RG59/U Coaxial Cable
(use model **CONN360** or
equivalent connector)

IMPORTANT INFORMATION AND WARNING:

THESE ARE LOW VOLTAGE DC POWERED CAMERAS AND THEY ARE POLARITY SENSITIVE.

THE POLARITY IS AUTOMATICALLY CORRECT WHEN THE POWER MODULE IS PLUGGED DIRECTLY INTO THE CAMERA USING THE FACTORY INSTALLED CONNECTORS. IF IT IS NECESSARY TO EXTEND THE DISTANCE BETWEEN THE POWER MODULE AND THE CAMERA, CUT AND SPLICE THE WIRE ON THE POWER MODULE ONLY. IF IT IS NECESSARY TO REMOVE THE POWER CONNECTOR OR CUT AND EXTEND THE POWER CABLE. IT IS VERY IMPORTANT TO MAKE SURE THAT THE POLARITY IS CORRECT BEFORE POWER IS SUPPLIED TO THE CAMERA. USE A METER TO CHECK THE POLARITY OF THE NEWLY SPLICED CABLE BEFORE CONNECTING IT TO THE CAMERA.

THE CENTER PIN MUST BE POSITIVE!

USE ONLY THE SUPPLIED POWER SUPPLY! POWER SUPPLY IS FOR INDOOR USE ONLY.

DO NOT REMOVE THE SERIAL NO. STICKER, AS THIS WILL VOID THE WARRANTY.



42 Central Drive, Farmingdale NY 11735-1202
(631) 777-5500 Fax: (631) 777-5599
TOLL-FREE Technical Line 1-800-666-4800
Email: info@alphacommunications.com

INSTALLATION INSTRUCTIONS

For connecting the EM1005P lobby camera unit in our V.I.P.TM (or similar) series video-intercom system(s).