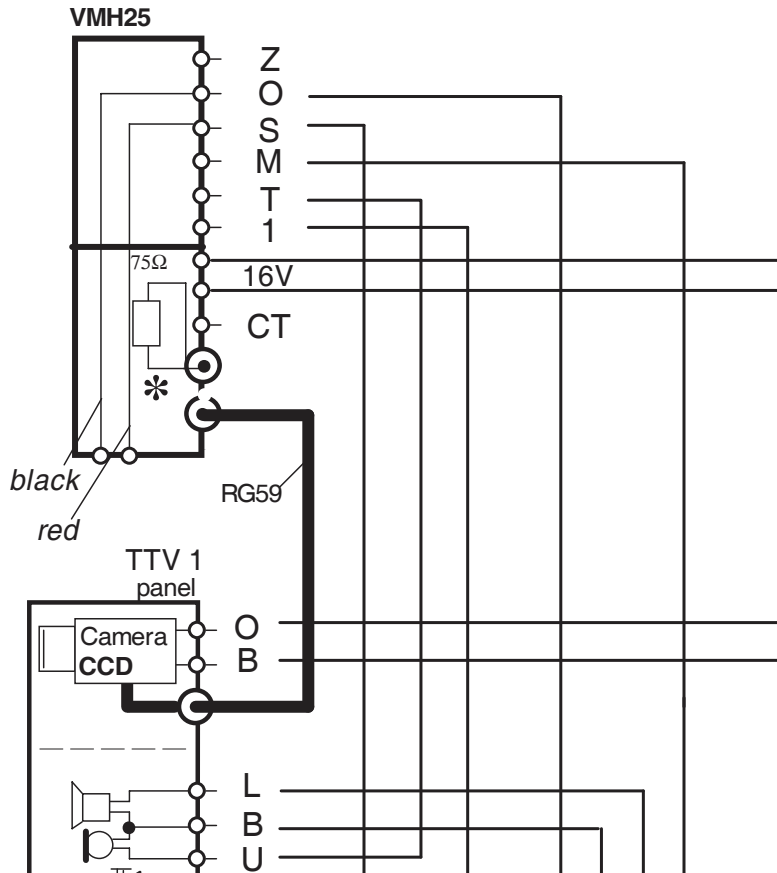


ALL WIRING #22 AWG UNLESS SHOWN

Note:
End of line resistor



alpha
COMMUNICATIONS

42 Central Drive, Farmingdale NY 11735-1202
(631) 777-5500 Fax: (631) 777-5599
TOLL-FREE Technical Line 1-800-666-4800
Email: info@alphacommunications.com

**Typical Wiring Diagram for 1- S.T.R.
VMH25 series video-intercom monitor
with NG90CCD power supply. No Video
Distributor(s) and 1 Entrance Video Panel**