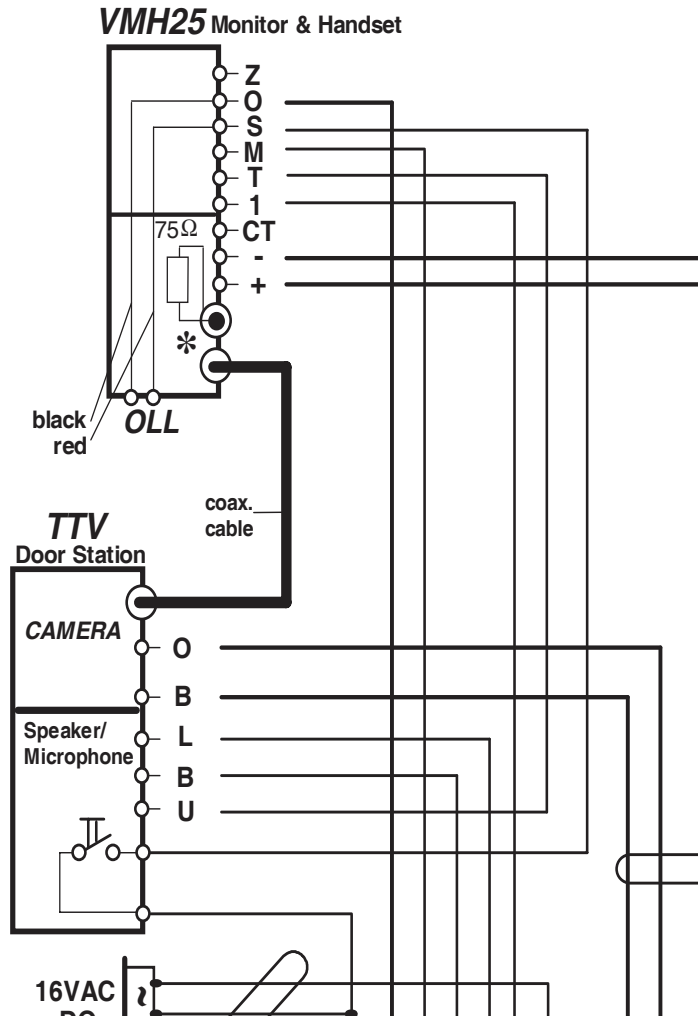



Note: All wiring #22AWG unless shown otherwise



 <p>42 Central Drive, Farmingdale NY 11735-1202 (631) 777-5500 Fax: (631) 777-5599 TOLL-FREE Technical Line 1-800-666-4800 Email: info@alphacommunications.com</p>	<p>Typical Wiring Diagram for 1- S.T.R. VMH25 series video-intercom monitor with NG95CCD power supply. No Video Distributor(s) and 1 Entrance Video Panel</p>
---	--