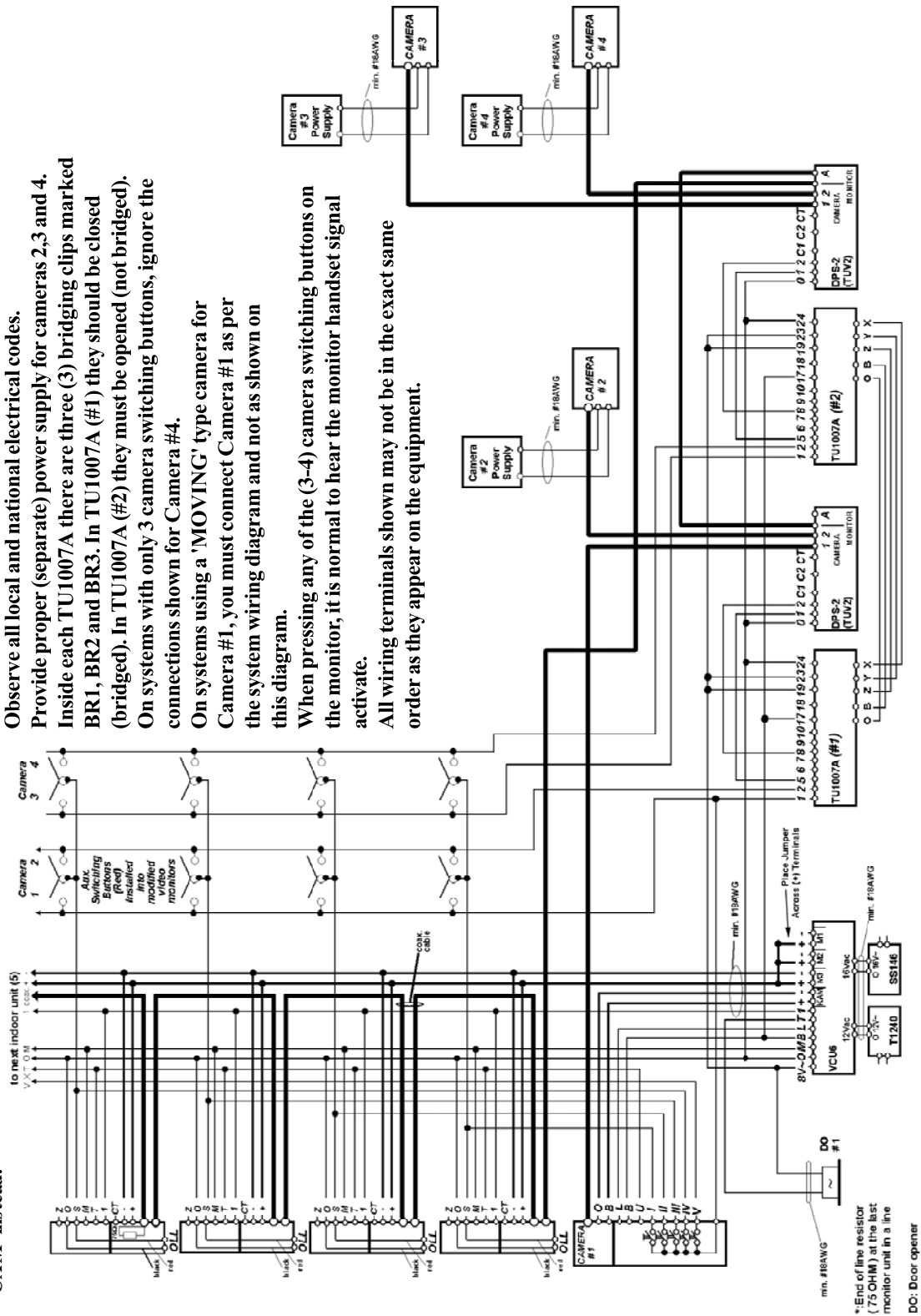


Note: When using the model VCU6-2 power supply instead of the VCU6p power supply, the 'KAM' terminals will be shown as 'CAM' instead.



NOTES:

- All Wiring #22AWG unless shown otherwise.
- Maximum of 10 Monitors per line (monitor outputs M1, M2, M3).
- * Install a 75 ohm end-of-line resistor at the last monitor in the coaxial cable line.
- Observe all local and national electrical codes.
- Provide proper (separate) power supply for cameras 2,3 and 4.
- Inside each TU1007A there are three (3) bridging clips marked BR1, BR2 and BR3. In TU1007A (#1) they should be closed (bridged). In TU1007A (#2) they must be opened (not bridged).
- On systems with only 3 camera switching buttons, ignore the connections shown for Camera #4.
- On systems using a 'MOVING' type camera for Camera #1, you must connect Camera #1 as per the system wiring diagram and not as shown on this diagram.
- When pressing any of the (3-4) camera switching buttons on the monitor, it is normal to hear the monitor handset signal activate.
- All wiring terminals shown may not be in the exact same order as they appear on the equipment.

42 Central Drive, Farmingdale NY 11735-1202
 (631) 777-5500 Fax: (631) 777-5599
 TOLL-FREE Technical Line 1-800-666-4800
 Email: info@alpha-comm.com

TYPICAL WIRING DIAGRAM FOR S.T.R.™ Video-Intercom System with special 4-Camera Switching Button Monitors and (1) Video Monitor Riser (no video distributor)