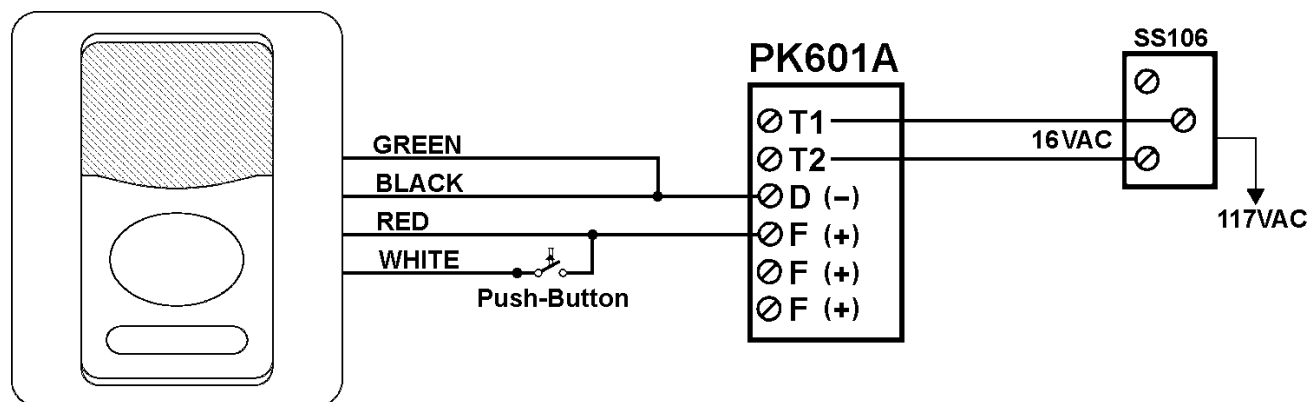


LI404A or LI404B Strobe Unit



INSTALLATION GUIDELINES and GENERAL INFORMATION:

1. Terminals/wires shown may not be in exact order in which they appear on the equipment.
2. All low voltage wiring is #18 AWG, unless otherwise noted.
3. Observe all local and national electrical codes.
4. The PK601A has multiple 'F' terminals. They are all the same, and any one may be used.
5. The PK601A (with SS106) 24VDC power supply may be substituted with your own (identical type) 24VDC power supply (135mA or greater per strobe), if required.
6. Up to four (4) LI404A or LI404B strobes may be connected off of each PK601A power supply.



42 Central Drive, Farmingdale NY 11735-1202
(631) 777-5500 Fax: (631) 777-5599
TOLL-FREE Technical Line 1-800-666-4800
Email: info@alpha-comm.com

TYPICAL WIRING INSTRUCTIONS FOR LI404A or LI404B STROBE UNIT

Used as a stand-alone unit that is triggered by a low-voltage momentary push-button (contact)