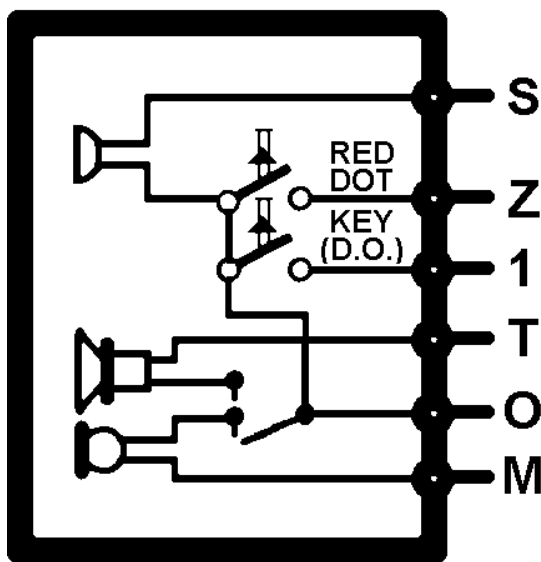


**NOTES: All wiring #22AWG unless shown otherwise.**





**Terminal connections shown may not be in the actual order they appear on the equipment.**

**On all models (except for the HT2003C2WH) the handset microphone is an electret condenser type (with built-in amplifier). On the HT2003C2WH, the handset microphone is a Carbon Transmitter type.**

**The HT2003C2WH is a perfect replacement for the older Elvox 870W, 902, 905 and other 'Telephonic Style' apartment handsets and intercom systems.**



## LEGEND

-  AC Buzzer
-  Handset Receiver
-  Handset Microphone
-  Push-Button



42 Central Drive, Farmingdale NY 11735-1202  
(631) 777-5500 Fax: (631) 777-5599  
TOLL-FREE Technical Line 1-800-666-4800  
Email: info@alpha-comm.com

**Internal Schematic Diagram for the  
HT2003 and/or HT3003 series S.T.R.™  
5-Wire Handset with AC Buzzer**