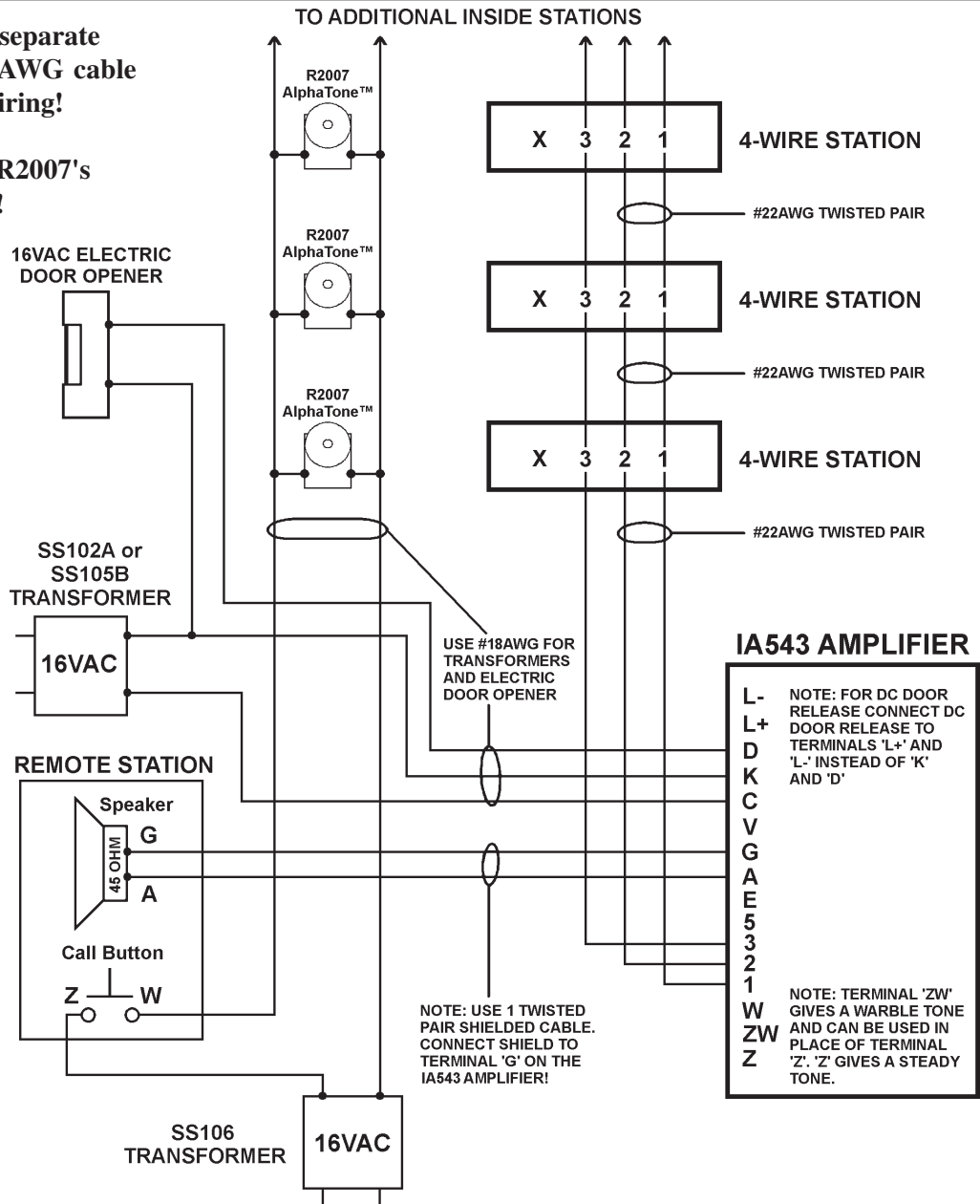



NOTES: Run a separate 2-conductor #18AWG cable for the R2007 wiring!

Polarity on the R2007's is not important!



INSTALLATION GUIDELINES and GENERAL INFORMATION:

1. All low voltage wiring is #22 AWG, unless otherwise noted.
2. Check for shorts and/or grounds before connecting transformer to IA543 amplifier.
3. Install transformers at least 3 feet (1 meter) away from IA543 amplifier.
4. Observe all local and national electrical and building codes.
5. All terminals connections shown may not be in the order that they appear on the equipment.
6. Virtually any number of 4-wire inside intercom stations may be connected in parallel to answer the door and release the door opener, but do not install more than 10- R2007 AlphaTone™ units on the SS106 transformer. Do not connect the 'X' terminals on the inside intercom stations!

 <p>42 Central Drive, Farmingdale NY 11735-1202 (631) 777-5500 Fax: (631) 777-5599 TOLL-FREE Technical Line 1-800-666-4800 Email: info@alphacommunications.com</p>	<p>TYPICAL WIRING INSTRUCTIONS For the IA543 Amplifier with 1-Entrance With multiple 4-Wire Inside Intercom Stations connected in parallel, and up to 10- R2007 Alpha- Tone™ chime units (installed behind intercom units)</p>
---	--