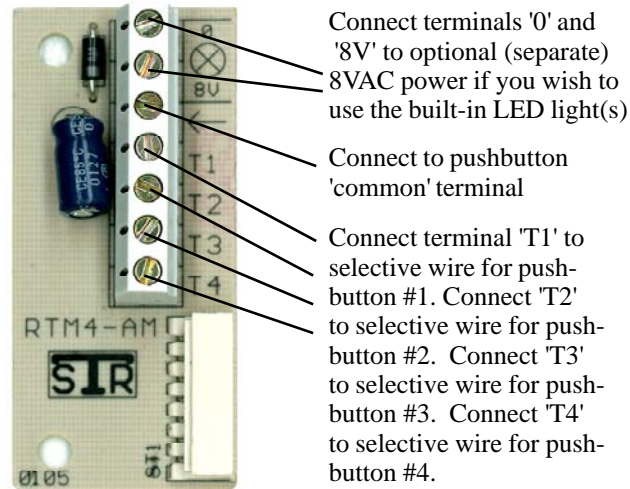
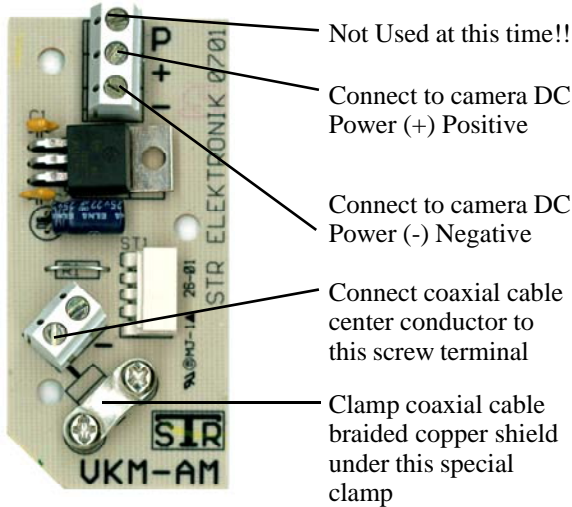


NOTE: The STR™ modular type entry panels have slightly different markings than the standard/conventional St. Steel (or similar) type entry panels. Use this wiring guide to assist you in wiring these modules correctly, depending upon your system, to cross-reference the terminals and/or connections shown on your standard type wiring diagram(s), provided with each system. All PC boards are shown without plug-in wire harnesses.

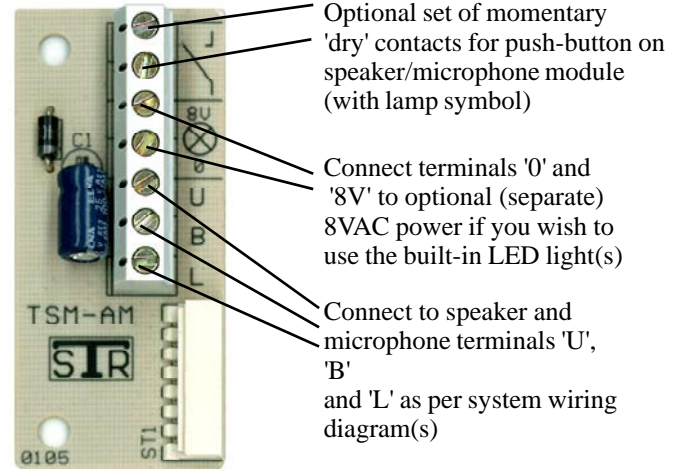
COAXIAL CAMERA (KM series):

Typically used with the standard coaxial type STR™ video-intercom type systems



SPEAKER/MICROPHONE (TSM Series):

Typically used with the standard 5-wire type STR™ intercom system handsets. **NOTE:** When using these modules for Open-Voice type apt. stations (i.e. IR204C or equivalent) do not connect microphone terminal 'U'. Only connect speaker terminals 'L' & 'B' to amplifier.



NOTE: Make sure to observe polarity on camera power supply to camera.

<<----- PUSHBUTTONS (RTM Series):

Typically used with the standard 5-wire type STR™ intercom systems. **NOTE:** Connections shown are for the 4-button RTM4 type button module(s). The 3-button RTM3 modules do not have terminal 'T3'. The 2-button RTM2 modules do not have terminals 'T3' or 'T4'. The 1-button RTM1 modules do not have terminals 'T2', 'T3' or 'T4'.

INSTALLATION GUIDELINES and GENERAL INFORMATION:

1. See the specific system wiring diagram for the balance of the wiring connections required.
2. All low voltage wiring is #22 AWG, unless otherwise noted.
3. Observe all local and national electrical and building codes.

Alpha
COMMUNICATIONS

42 Central Drive, Farmingdale NY 11735-1202
(631) 777-5500 Fax: (631) 777-5599
TOLL-FREE Technical Line 1-800-666-4800
Email: info@alpha-comm.com

TYPICAL WIRING INSTRUCTIONS FOR STR™ MODULAR COMPONENTS

Showing connections for standard Coaxial Camera, Speaker/Microphone and Pushbutton module(s)