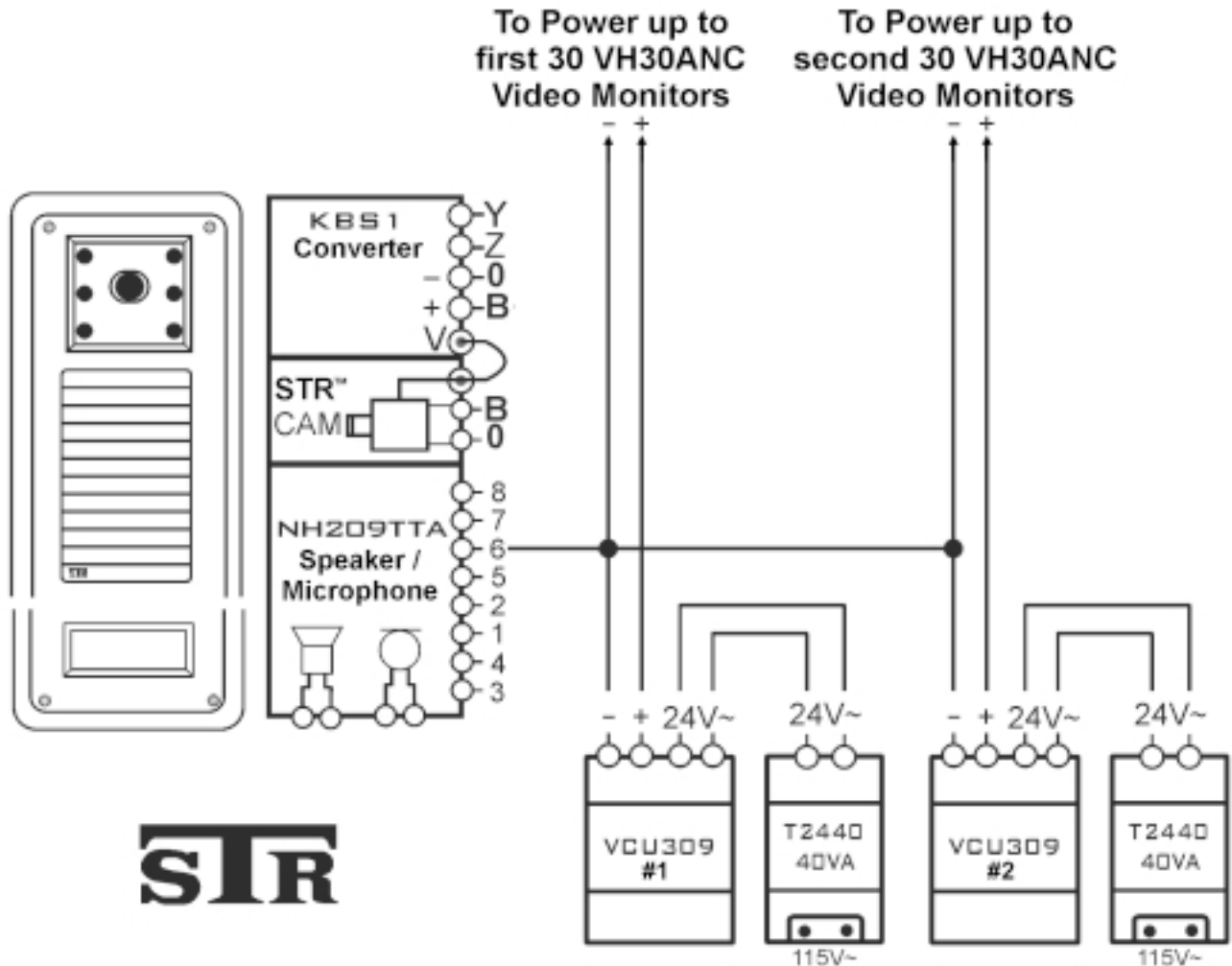



Note: Each VCU309 power supply is designed to handle a **MAXIMUM** of 30 NoCoax video-intercom monitor units. When using more than 30, you must use a VCU309 for each additional 30 monitor units. Each VCU309 requires a separate model T2440 (24VAC/40VA) transformer. Shown below is a configuration for up to 60 total video-intercom monitor units. For larger system capacities, simply add additional VCU309 and T2440 units, as required, and wire as per VCU309 (#2) shown below. Make sure to put a jumper wire between the (-) terminals on all of the VCU309 power supply units, going to terminal '6' on the NH209TTA speaker/microphone.



INSTALLATION GUIDELINES and GENERAL INFORMATION:

1. All low voltage wiring is #22 AWG, unless otherwise noted.
2. See the specific system wiring diagram (AWD086) for the balance of system wiring information.
3. Observe all local and national electrical and building codes.
4. All terminals connections shown may not be in the order that they appear on the equipment.

 <p>42 Central Drive, Farmingdale NY 11735-1202 (631) 777-5500 Fax: (631) 777-5599 TOLL-FREE Technical Line 1-800-666-4800 Email: info@alpha-comm.com</p>	<p>TYPICAL WIRING DIAGRAM FOR Dual VCU309 Power Supply Units</p> <p>for S.T.R.™ NoCoax video-intercom systems with more than 30 NoCoax video-intercom monitor units.</p>
--	---