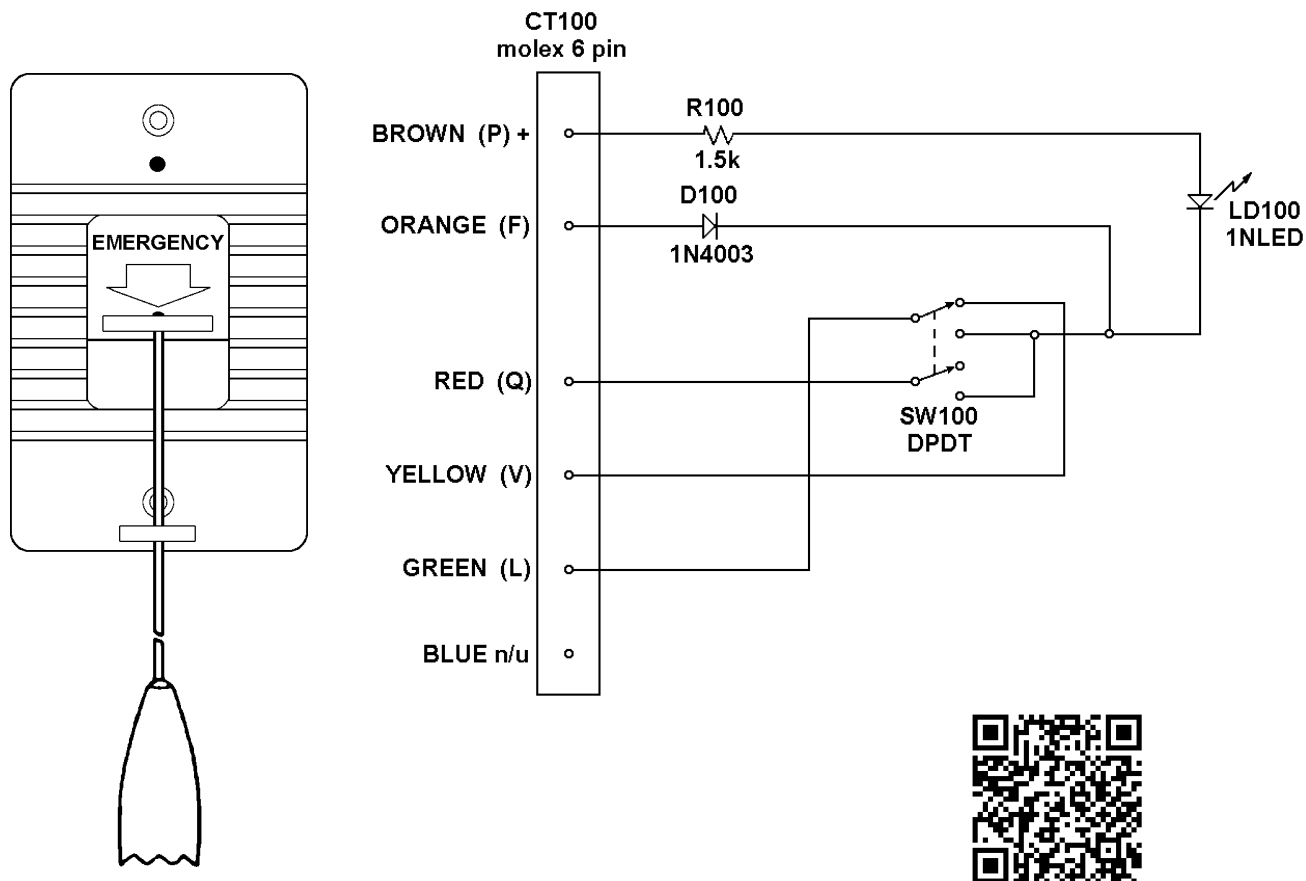



NOTE: This internal schematic diagram is being provided simply as a guide to the internal wiring and components inside the SF155B push/pull station. Any modifications and/or alterations to this station or its use in a system other than a TekTone® compatible nurse-call system will void its warranty and UL Listing. Neither Alpha Communications® nor TekTone® will be responsible for any such unauthorized use.



INSTALLATION GUIDELINES and GENERAL INFORMATION:

1. See the specific system wiring diagram for the balance of the wiring connections required.
2. Wiring connections and terminals may not be in the same order as they appear on the equipment.
3. Observe all local and national electrical and building codes.
4. Please note that any use of the SF155B station with systems other than the NC110A, NC110N, NC150N and/or NC200N will most likely void any U.L. Listing for this component.

 <p>42 Central Drive, Farmingdale NY 11735-1202 (631) 777-5500 Fax: (631) 777-5599 TOLL-FREE Technical Line 1-800-666-4800 Email: info@alphacommunications.com</p>	<p style="text-align: center;">INTERNAL SCHEMATIC DIAGRAM FOR SF155B PUSH/PULL STATION</p> <p style="text-align: center;">Showing the internal wiring and components only.</p>
---	---