

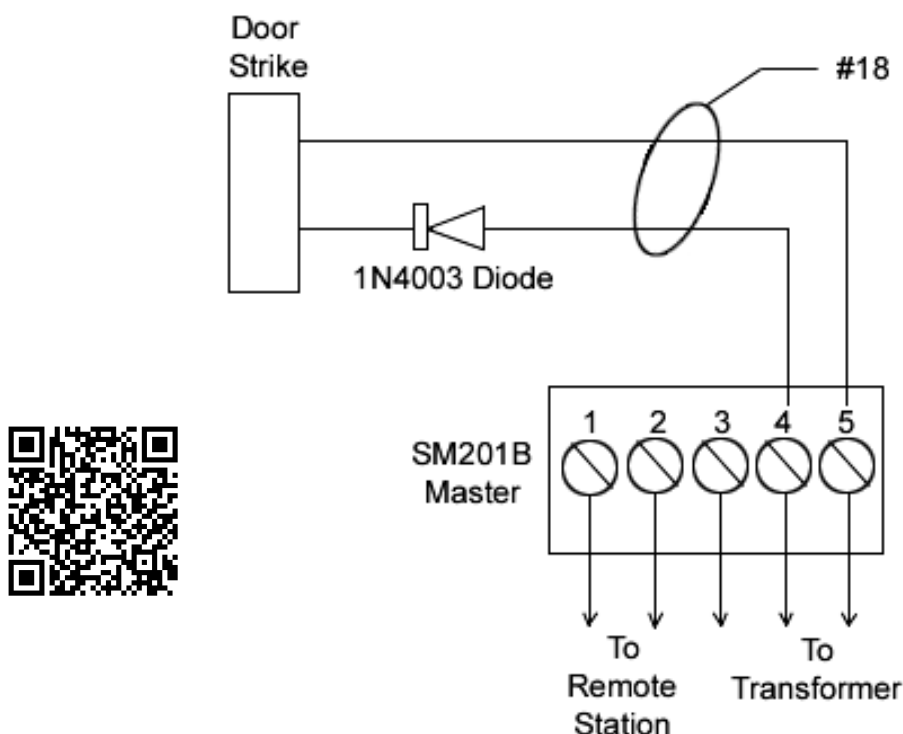
TekTip

Wiring suggestions for SM201B Master Station

Regarding system wiring for SM201B Master Stations with a door release and door station, it is not recommended that wiring to the door strike and to the door speaker be run in the same cable.

It has come to our attention that many installations have been wired in this manner, resulting in interference problems. In order to alleviate, and in some cases eliminate the problem, a 1N4003 diode (TekTone® part no. 027) can be installed in series with the door strike wire coming from terminal 4 on the SM201B Station.

For new installations, if it is desirable to have the door strike and door speaker wires in the same cable, the door speaker wires should be shielded.



(Mar. 1990)

INSTALLATION GUIDELINES and GENERAL INFORMATION:

1. See the specific system wiring diagram for the balance of the wiring connections required.
2. Wiring connections and terminals may not be in the same order as they appear on the equipment.
3. Observe all local and national electrical and building codes.



42 Central Drive, Farmingdale NY 11735-1202
(631) 777-5500 Fax: (631) 777-5599
TOLL-FREE Technical Line 1-800-666-4800
Email: info@alphacommunications.com

Wiring Suggestions for the SM201B Master Station when experiencing AC Hum upon connection of an AC Powered Electric Door Strike