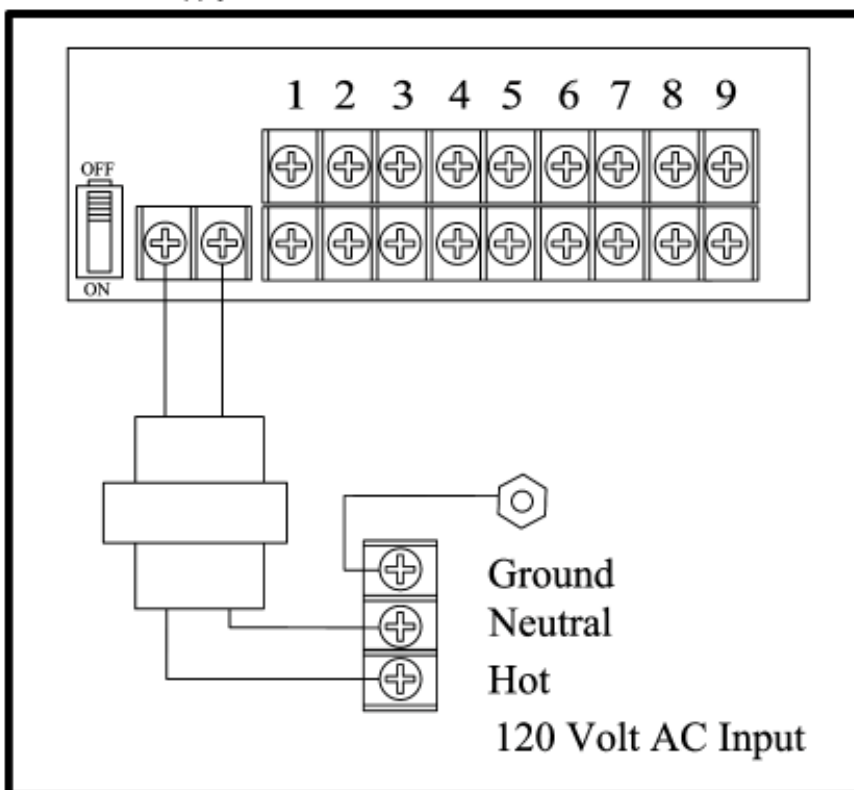




24 Volt Power Supply

Installation:

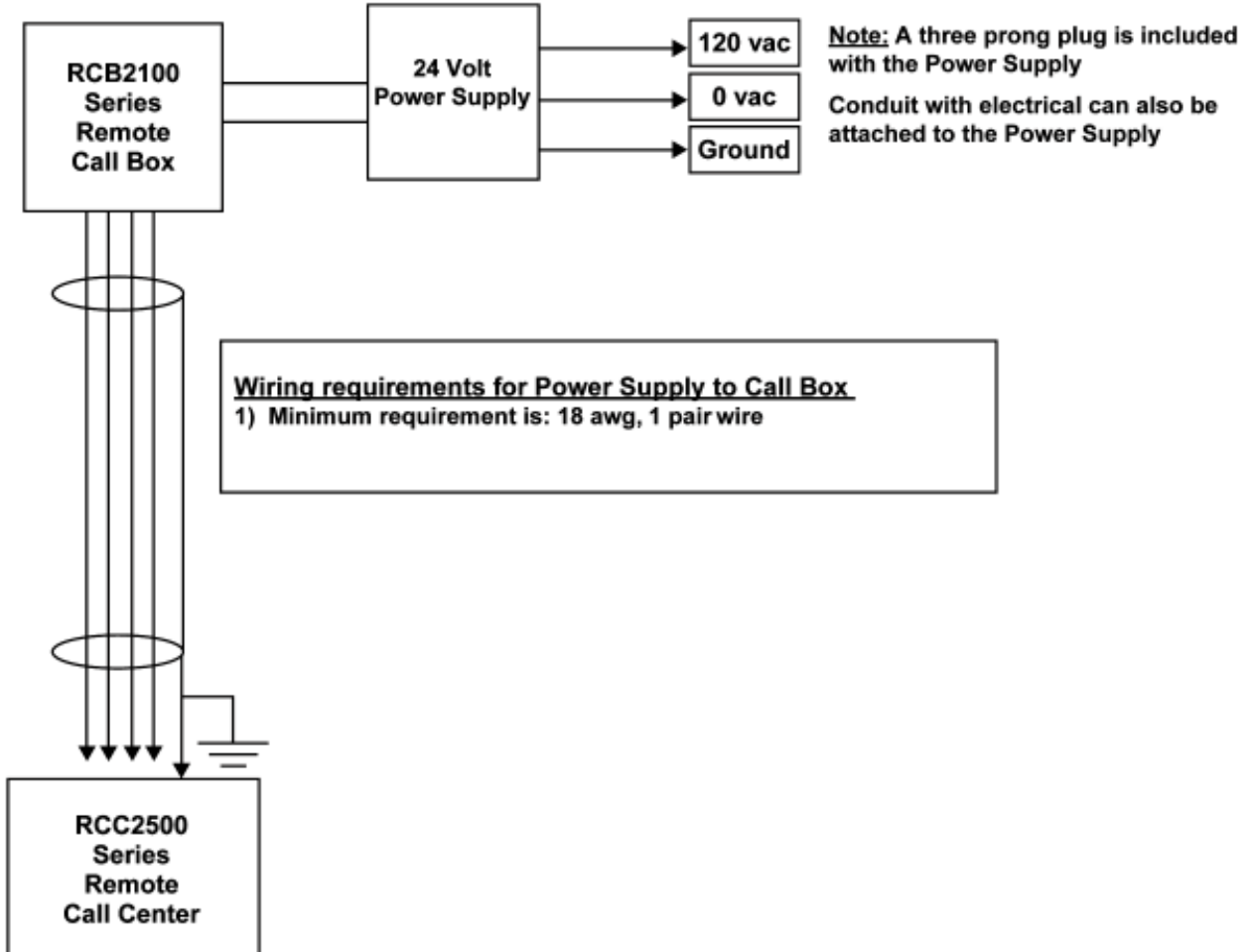
- Locate a suitable mounting location for the supply
- Mount the Power Supply using 6 mounting screws (not provided) and punch out conduit knockouts for wire runs
- For each Call Box you must run an 18 gauge, 2 wire set down to the Power Supply
- Feed the AC power cable through the knockout located on the bottom of the Power Supply. Attach the power cable to the proper screw terminals – See Power Supply diagram below
- Attach the power cables from the appropriate Call Boxes to the Power Supply
 - For up to 5 Call Boxes, wire 1 set of power cables to individual ports numbered 1 through 5 on the Power Supply. One wire will go to the top screw of the port; the other will go to the bottom port
 - For 5 to 10 Call Boxes, wire one set of power cables to individual ports 1 - 8. Wire 2 sets of power cables to port 9
 - For 11 to 20 Call Boxes, wire two sets of power cables to ports 1 - 7. Wire 3 sets of power cables to ports 8 & 9
 - For 20+ Call Boxes, up to 5 Call Boxes can be wired per port, for a total of 45 Call Boxes. Do not wire more than 5 Call Boxes per port.
- Plug Power Supply into 120 vac outlet or connect the supply to the electrical through a conduit connection
- Turn power switch in Power Supply to ON



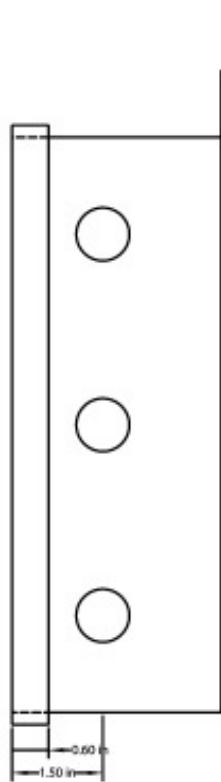
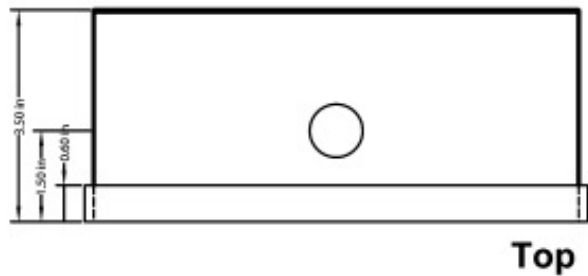
42 Central Drive, Farmingdale NY 11735-1202
(631) 777-5500 Fax: (631) 777-5599
TOLL-FREE Technical Line 1-800-666-4800
Email: info@alphacommunications.com

Wiring Diagram and Installation Manual for the PWR2410 24VAC AlphaRefuge™ system power supply unit

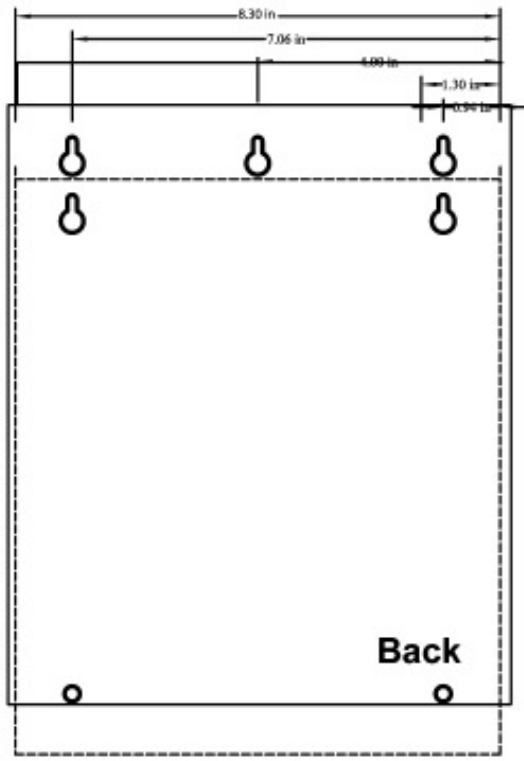
Power Supply to Call Box Wiring Diagram



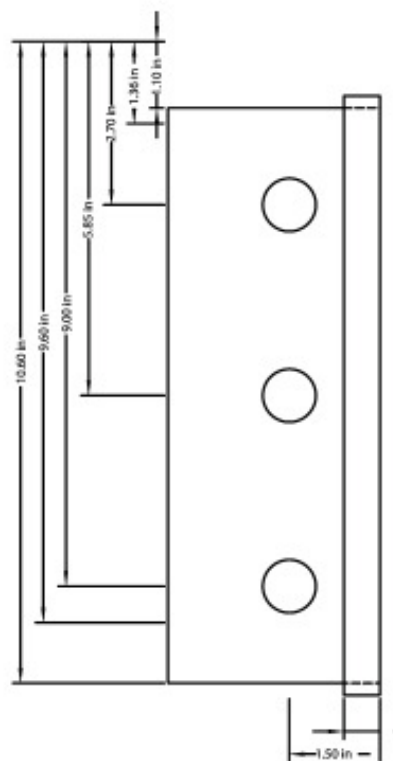
Mounting Dimensions



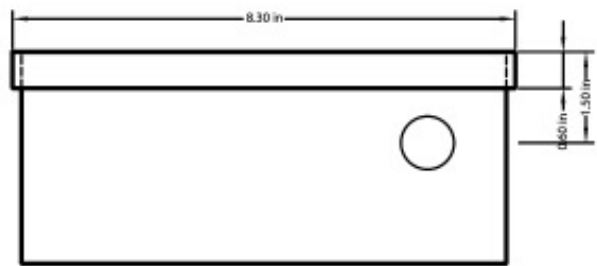
Side



Back



Side



Bottom

Troubleshooting

<u>Problem</u>	<u>Possible Cause & Fixes</u>
Green Power LED are not illuminated:	<ul style="list-style-type: none">• Make sure the power switch is set to the On position on the power supply• Make sure the power supply is connected to a good 120vac power source• Make sure 120vac power connection in the power supply is wired properly
Call station does not have Power:	<ul style="list-style-type: none">• Make sure the Green LED's are illuminated on the Power Supply• Check to see that each output on the Power Supply is producing 24vac