



APPLICATION

The DUO-COM™ SM222K intercom kit is a multipurpose, two station intercom (expandable to 2 indoor masters) suitable for homes, offices, or wherever communication to a single location and convenient electrical door opening is desired. The solid-state design, combined with low voltage operation, permits easy and simple installation. NOTE: There is no internal communication between then two indoor Master Stations.

PROCEDURE

1. Read installation instructions before proceeding.
2. Install housings and wiring.
3. Connect wiring and install equipment.
4. Apply power and check operation.

Power Supply

IMPORTANT! Connecting any of the enclosed equipment to any power source other than the provided power supply or a power supply that meets outlined specifications, voids all warranties.

HOUSING INSTALLATION AND EQUIPMENT LOCATION

Inside Master (SM222) Station

Locate master station where needed and at a convenient speaking height. Do not locate the master near any source of direct heat, or too close to transformers, light dimmers, or other electrical devices or wiring. Do not install close to or on a common wall with remote station. Install directly to mounting surface or to a single gang electrical box or ring, as shown in *Figure 1*.

Outside Remote (OR222) Station

For outside remote stations (OR222), install directly to mounting surface or to a single gang electrical box or ring as shown in *Figure 2*. Run wires to the remote station as shown in *Figure 3* (or *Figure 4* if you are using 2 indoor master stations).

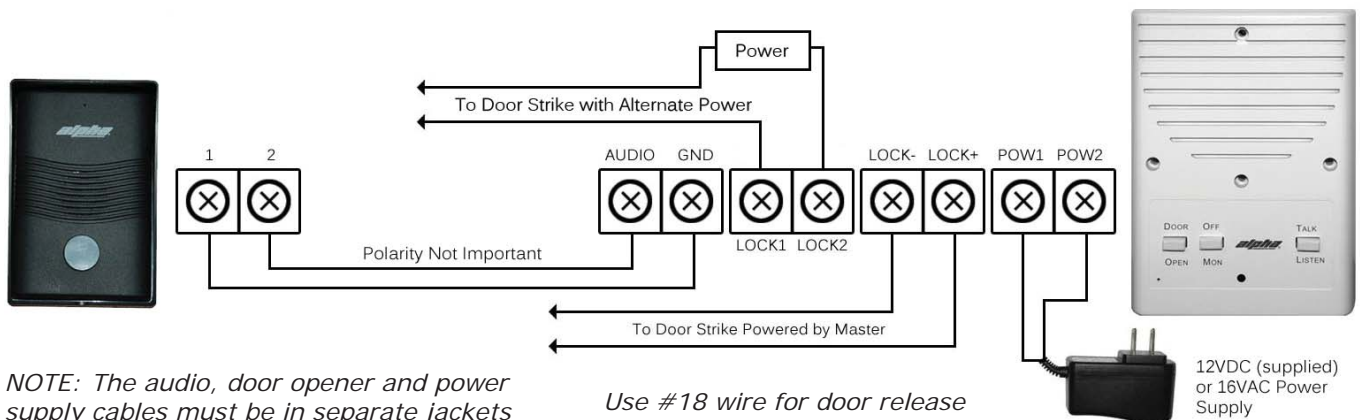
Figure 1: SM222 Mounting Diagram



Figure 2: OR222 Mounting Diagram



Figure 3: Typical Wiring for one Indoor Master Station



NOTE: The audio, door opener and power supply cables must be in separate jackets and not in the same cable jacket.

Use #18 wire for door release and power supply wiring.

