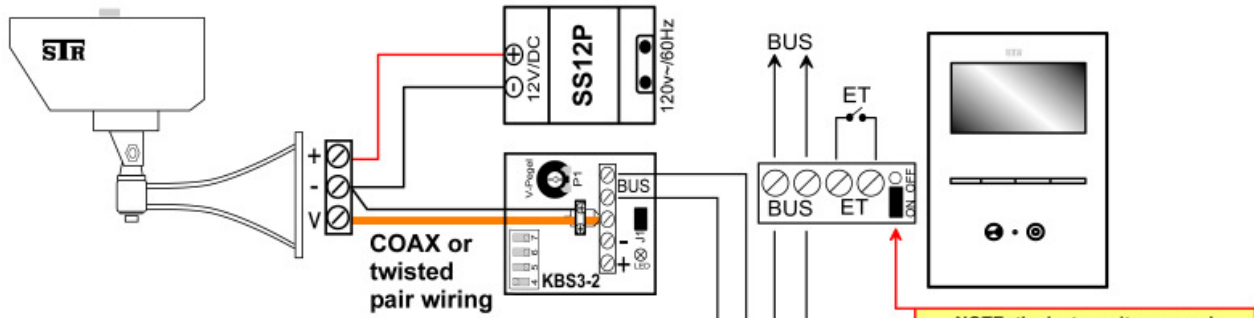
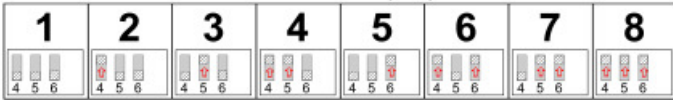
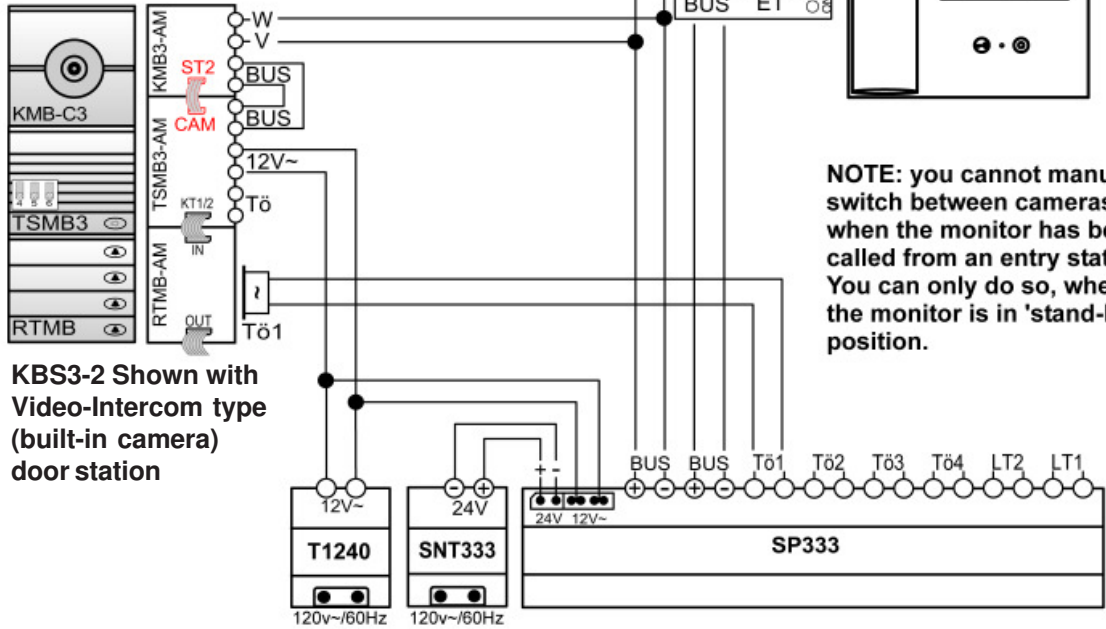


Set the Remote Camera Number (1-8) with DIP Switches 4-6 on the KBS3-2




NOTE: when using cameras from another manufacturer use the low-voltage camera power supply provided by the manufacturer. The Potentiometer shown on the KBS3-2 as P1 sets the video level as needed.

NOTE: when a monitor is called the picture will default to the calling entrance station camera first!



Set the Door Station Number (1-8) with DIP Switches 4-6 on the TT33-2 or TSMB3 Speaker/Microphone unit

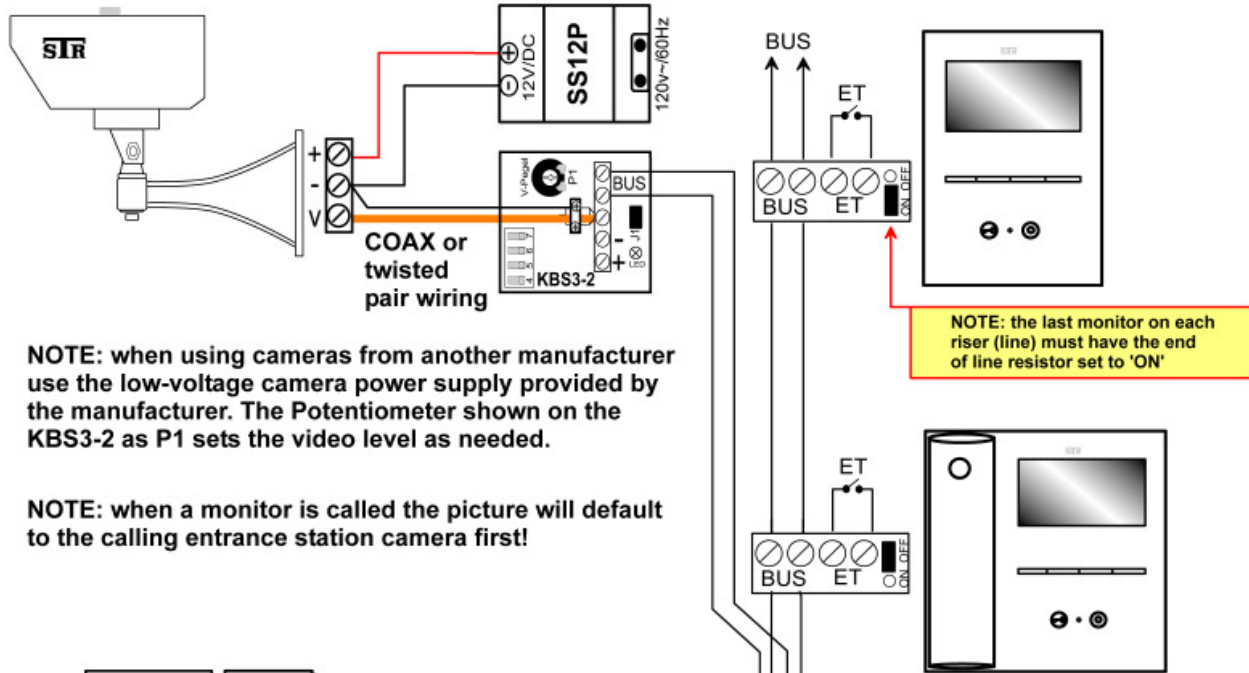
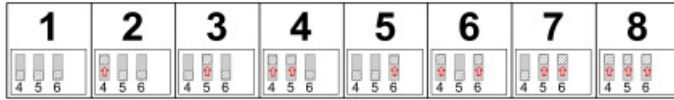
- NOTES:
1. See the full system installation instructions for complete system wiring and configuration.
 2. Terminal connections shown may not be in the actual order they appear on the equipment.



42 Central Drive, Farmingdale NY 11735-1202
 (631) 777-5500 Fax: (631) 777-5599
TOLL-FREE Technical Line 1-800-666-4800
 Email: info@alphacommunications.com

Typical Wiring Information for the KBS3-2 QwikBUS™ Coax to Digital Video Converter when used with video and (separate camera) audio door station(s)

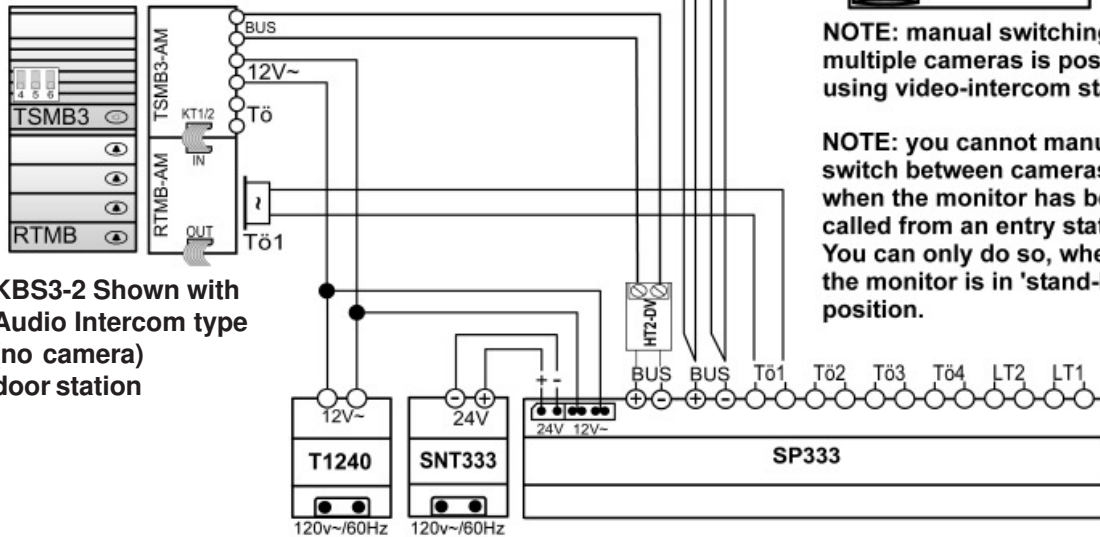
Set the Remote Camera Number (1-8) with DIP Switches 4-6 on the KBS3-2



NOTE: when using cameras from another manufacturer use the low-voltage camera power supply provided by the manufacturer. The Potentiometer shown on the KBS3-2 as P1 sets the video level as needed.

NOTE: when a monitor is called the picture will default to the calling entrance station camera first!

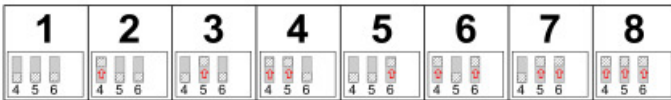
NOTE: the last monitor on each riser (line) must have the end of line resistor set to 'ON'



KBS3-2 Shown with Audio Intercom type (no camera) door station

NOTE: manual switching to multiple cameras is possible using video-intercom stations

NOTE: you cannot manually switch between cameras when the monitor has been called from an entry station. You can only do so, when the monitor is in 'stand-by' position.



Set the Door Station Number (1-8) with DIP Switches 4-6 on the TT33-2 or TSMB3 Speaker/Microphone unit

NOTES:

1. See the full system installation instructions for complete system wiring and configuration.
2. Terminal connections shown may not be in the actual order they appear on the equipment.

