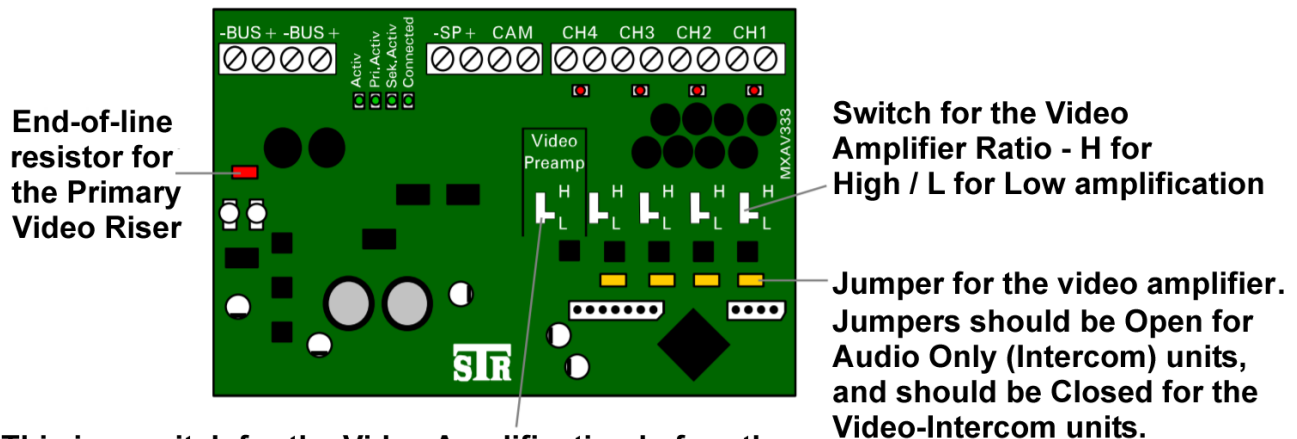


For the Secondary Bus, the MXAV333 opens a fresh new QwikBUS™ system, to allow the system to expand to hundreds of stations (or more). Each MXAV333 requires its own SP333 control unit and SNT333 for power. You can connect up to 25 audio only (intercom) stations to each of the four (4) Bus Channels or up to 10 video-intercom stations. You should not mix audio only (intercom) and/or video-intercom stations on each channel. ECI333 control units may be used on the same channel as audio only (intercom) stations and devices.

**NOTE:** The end-of-line resistor (shown below) must be set on the last MXAV333 unit on the system.



This is a switch for the Video Amplification before the Channels. The video signal is first amplified here, and then again from each channel amplifier.



### Status - LEDs

- Activ -** If Active LED is Flashing then the MXAV333 is working normally
- Pri.Active -** If this LED is ON then an Audio/Video connection on the Primary Bus is active
- Sec.Active -** If this LED is ON then an Audio/Video connection on the Secondary Bus is active
- Connected -** If Active LED is On then an Audio/Video connection from a Door Station on the Primary Bus is active (if a Door Station has been connected to CAM)

**NOTE:** Each Output Channel has built-in circuitry to shut down that Channel in the event of a short. If a Channel is shorted, the Channel will be disabled and the Red LED for that Channel will light.

## INSTALLATION GUIDELINES and GENERAL INFORMATION:

1. See the specific system wiring diagram for the balance of the wiring connections required.
2. All low voltage wiring is #18 AWG, unless otherwise noted.
3. Observe all local and national electrical and building codes.
4. Terminals shown may not be in the order in which they appear on the actual equipment.

 <p>42 Central Drive, Farmingdale NY 11735-1202          (631) 777-5500 Fax: (631) 777-5599  <b>TOLL-FREE Technical Line 1-800-666-4800</b>          Email: info@alphacommunications.com</p>	<p><b>Typical wiring diagram for the MXAV333 Audio/Video Mixer units when used in a QwikBUS™ system.</b></p>	
---	--	---