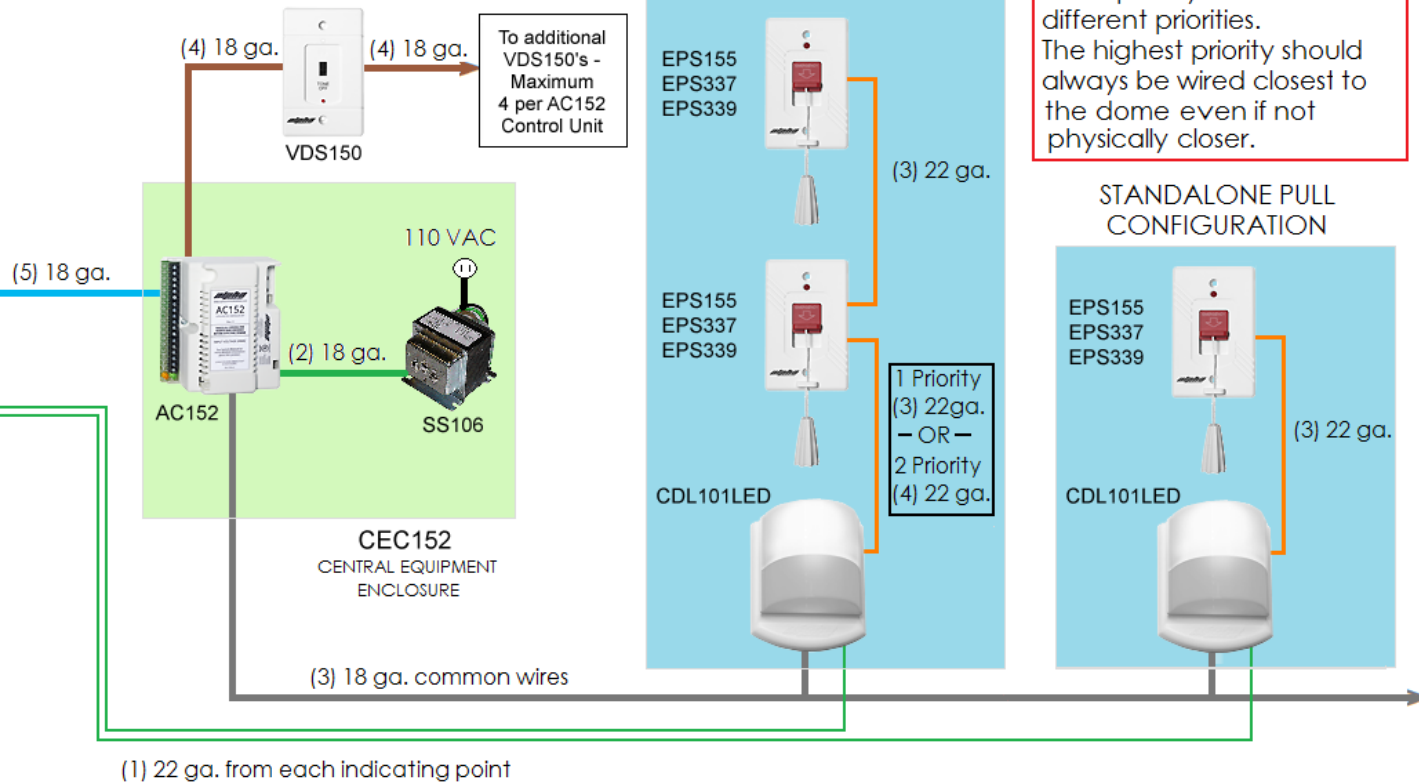


Typical AlphaLINQ™
100 Series Master
Station (shown with
32 LED Indicators)



Note: Wiring between Dome and first pull is 3 wires if the same priority or 4 wires if different priorities. The highest priorities should always be wired closest to the dome even if not physically closer.



This diagram represents a typical basic system. For more specific details and variations, please refer to the AlphaLINQ™ 100 Series Installation & Operation Manual AWD183.



42 Central Drive, Farmingdale NY 11735-1202
(631) 777-5500 Fax: (631) 777-5599
TOLL-FREE Technical Line 1-800-666-4800
Email: info@alphacommunications.com

**TYPICAL BLOCK WIRING DIAGRAM FOR SINGLE MASTER
AlphaLINQ™ 100 SERIES NURSE-CALL SYSTEM - w/ living area and/or
bath pulls set all as the same priority or 2nd priority**