



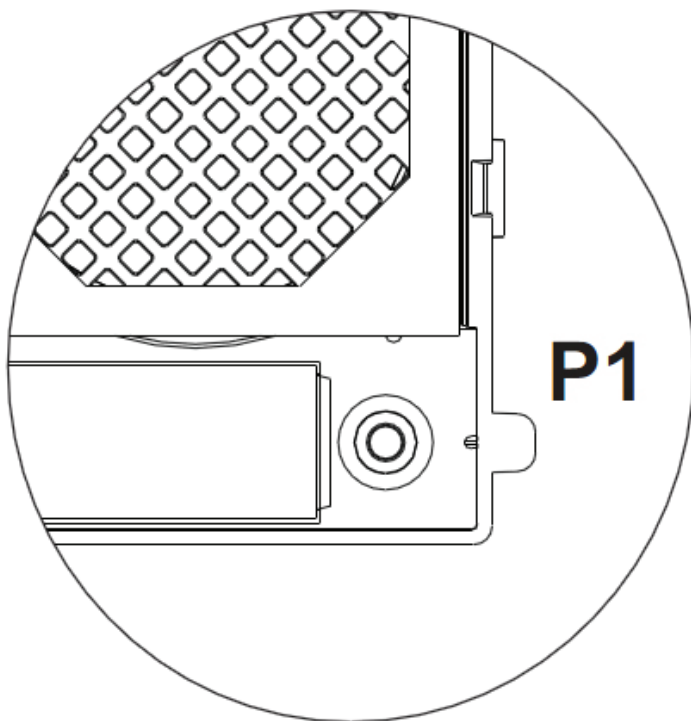
Configuring the contact type for Relay 1 and Relay 2 (lock release):

To change the contact type for lock release activation of Relay 1 and Relay 2 of the door panel, follow these steps:

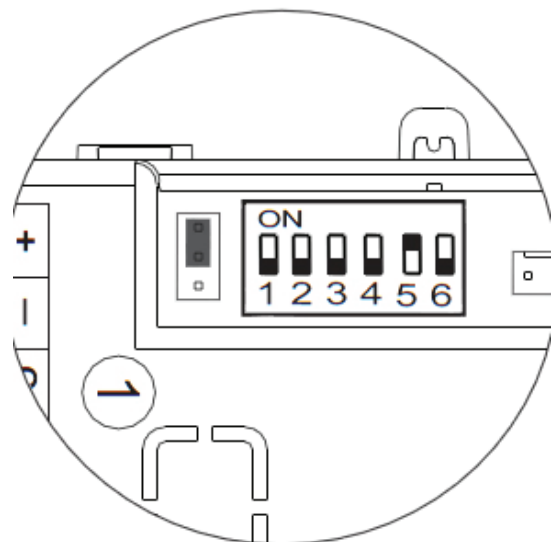
- Disconnect the door panel's power supply.
- Set DIP 6 on the sound module (see page 24) to ON.
- Reconnect the door panel's power supply.
- Press and hold down button P1 on the sound module for 6 seconds (until the confirmation tones end and LED on the door panel starts to blink).
- Then continue pressing until the required contact type is reached. LED on the door panel will blink rapidly if the contact selected is NO (default setting) or slowly if the contact selected is NC. Once the required option is selected, stop pressing button P1.
- Finally, set DIP 6 to OFF. A confirmation tone will be heard and LED on the door panel will turn off

The selected contact type will apply to both Relay 1 and Relay 2.

Front View:



Rear View:



 <p>42 Central Drive, Farmingdale NY 11735-1202 (631) 777-5500 Fax: (631) 777-5599 TOLL-FREE Technical Line 1-800-666-4800 Email: info@alphacommunications.com</p>	<p>Programming the GB2 Speaker/Mic/Camera Module Door Relay Types as N/O or N/C</p>
--	--