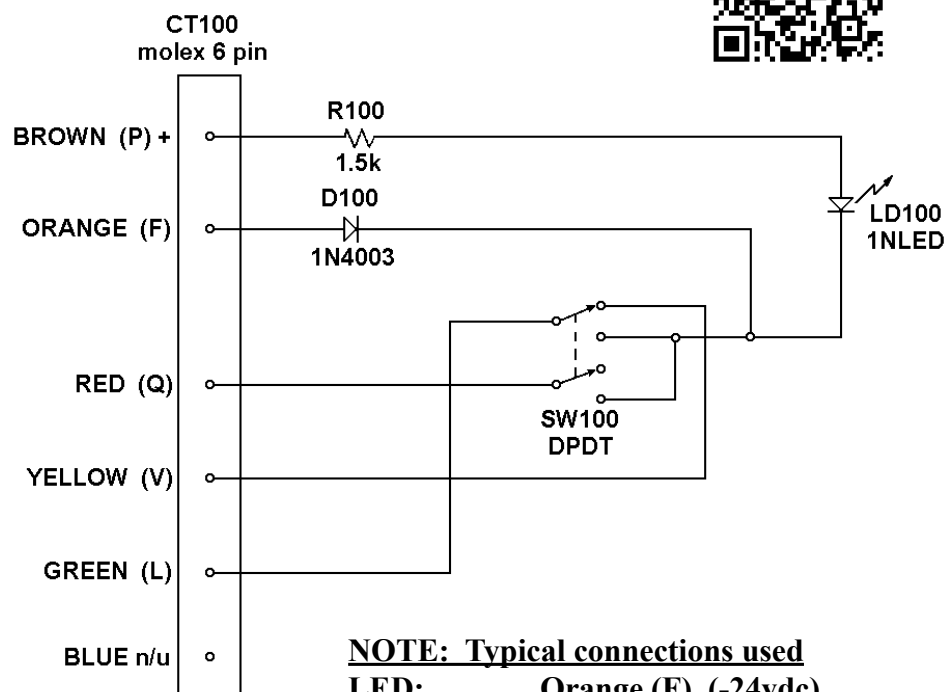


NOTE: This internal schematic diagram is being provided simply as a guide to the internal wiring and components inside the EPS155 push/pull station. Any modifications and/or alterations to this station or its use in a system other than a Alpha Communications® compatible nurse-call system will void its warranty and UL Listing. Alpha Communications® will be responsible for any such unauthorized use.



NOTE: Typical connections used

LED: Orange (F) (-24vdc)
Brown (P) (+24vdc)

**DRY
CONTACT**

SWITCH: Red (Q) & Green (L)

INSTALLATION GUIDELINES and GENERAL INFORMATION:

1. See the specific system wiring diagram for the balance of the wiring connections required.
2. Wiring connections and terminals may not be in the same order as they appear on the equipment.
3. Observe all local and national electrical and building codes.
4. Please note that any use of the EPS155 station with systems other than the AlphaLINQ™ 100 Series will most likely void any U.L. Listing for this component.



42 Central Drive, Farmingdale NY 11735-1202
(631) 777-5500 Fax: (631) 777-5599
TOLL-FREE Technical Line 1-800-666-4800
Email: info@alphacommunications.com

**INTERNAL SCHEMATIC DIAGRAM
FOR EPS155 PUSH/PULL STATION**

Showing the internal wiring and components only.