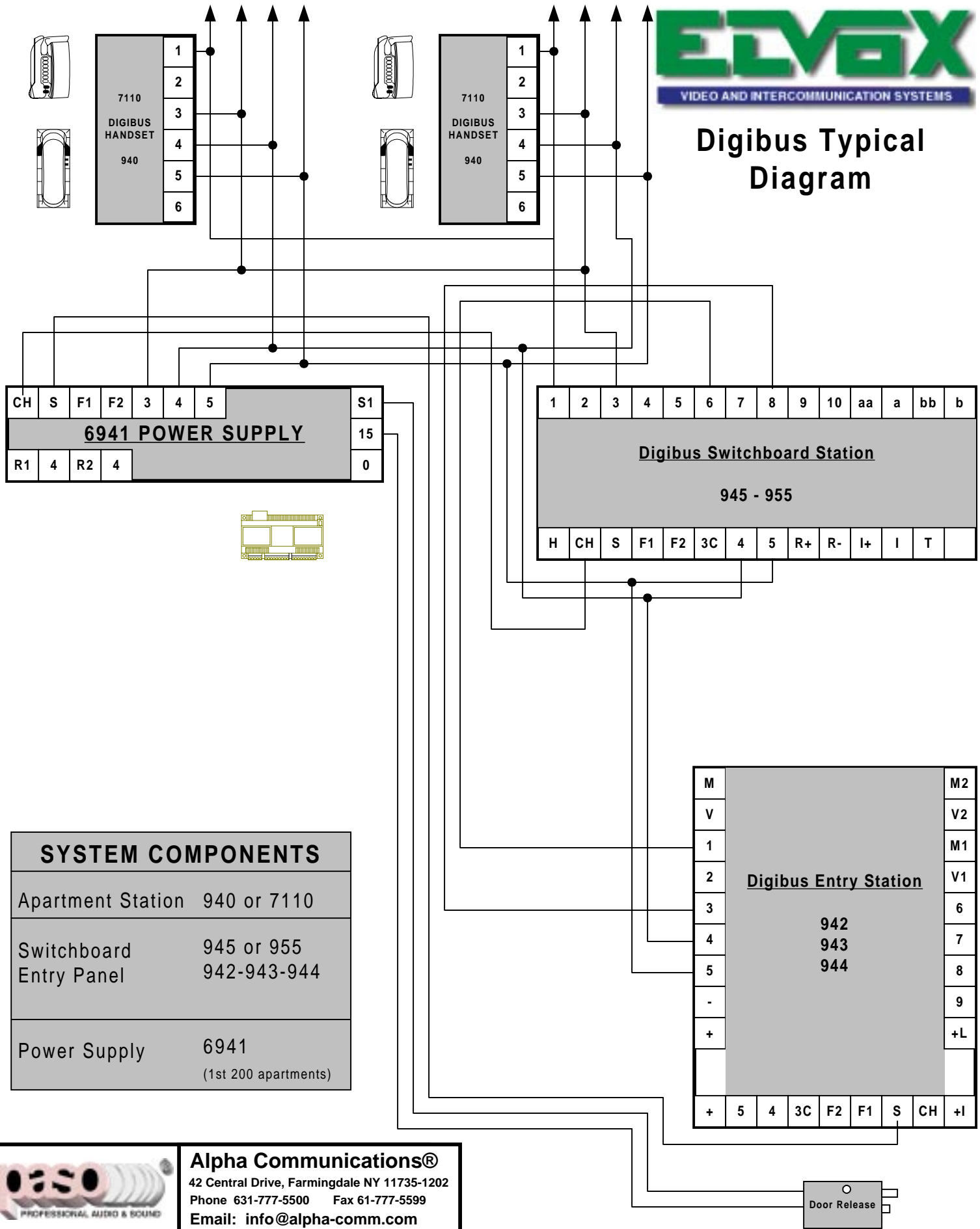


Digibus Typical Diagram



SYSTEM COMPONENTS	
Apartment Station	940 or 7110
Switchboard	945 or 955
Entry Panel	942-943-944
Power Supply	6941 (1st 200 apartments)



Alpha Communications®
 42 Central Drive, Farmingdale NY 11735-1202
 Phone 631-777-5500 Fax 61-777-5599
 Email: info@alpha-comm.com

Drawing #:
ED9906

Date:
10/12/99

Typical wiring for 955 DigiBus System with switchboard and entry panel for up to 200 apartment handset stations.