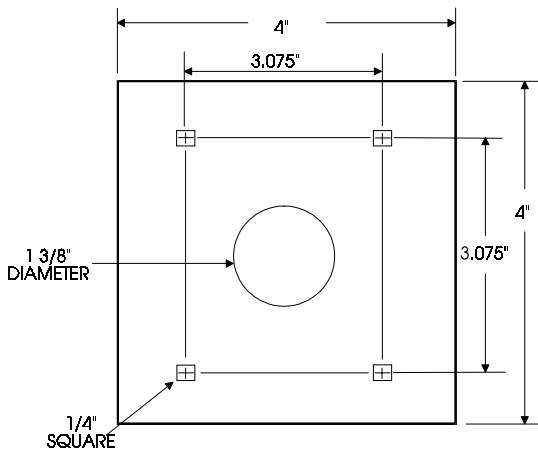
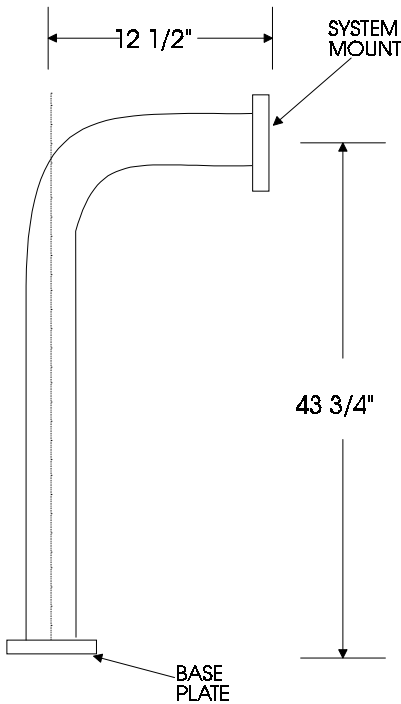


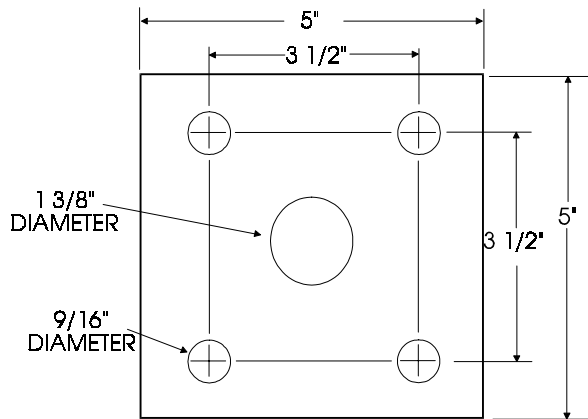


PEDESTAL INSTALLATION

- Mount the pedestal on concrete.
- Use 1/2" x 6" or 7/16" x 6" Anchor Bolts to mount the pedestal.
- The mounting bolts should be less than 1 1/8" above the mounting surface or the cover will not cover the mounting surface properly.



SYSTEM MOUNT



BASE PLATE
(3/8" THICK)