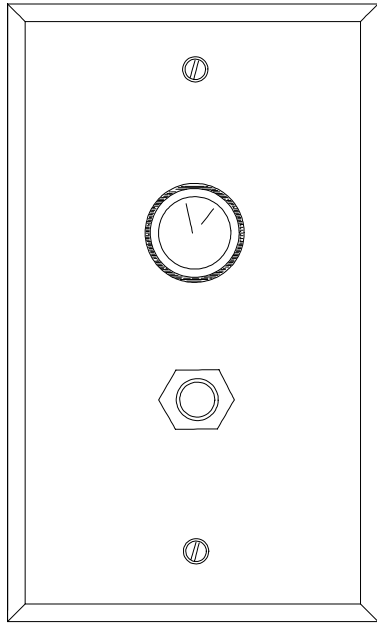




# Tek-Com Stereo Adapter Installation Instructions

IL049  
Section B  
Rev. 5 - 01/98

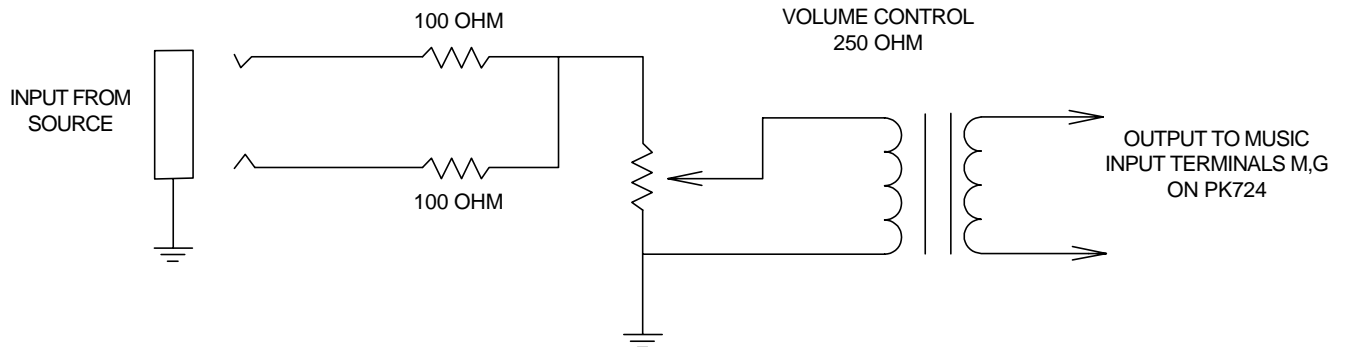


**VC704**

**STEREO ADAPTER AND WALL PHONO JACK FOR  
CONNECTION TO EXISTING STEREO UNITS.**

## INSTRUCTIONS

1. Run 2 twisted wires 22 gauge, or shielded cable, from PK724 amplifier location to stereo location.
2. Use standard single-gang electrical box or ring.
3. Connect a stereo male phono plug to stereo and adjust to a minimum volume that produces a pleasant sound in the intercom stations. See Figure 1.
4. Maximum audio signal is .5 volt.



**ALPHA COMMUNICATIONS® • 42 Central Drive • Farmingdale NY 11735-1202**

**TOLL-FREE Technical Line 1-800-666-4800 • Phone: 631-777-5500 • Fax: 631-777-5599**  
E-mail: [info@alpha-comm.com](mailto:info@alpha-comm.com) World Wide Web Site: [www.alpha-comm.com](http://www.alpha-comm.com)