



Tek-Trio Installation Instructions

IL098
Section B

Rev. 5 - 12/93

SM103B

APPLICATION

The SM103B Tek-Trio intercom is an all-purpose, three-station intercom suitable for offices, homes, self-service gas stations, and many other applications. Its solid state design and low voltage operation permits easy and simple installation using the following instructions:

PROCEDURE

1. Read installation instructions completely before proceeding.
2. Install housings and wiring.
3. Connect wiring and install equipment.
4. Apply power and check operation.

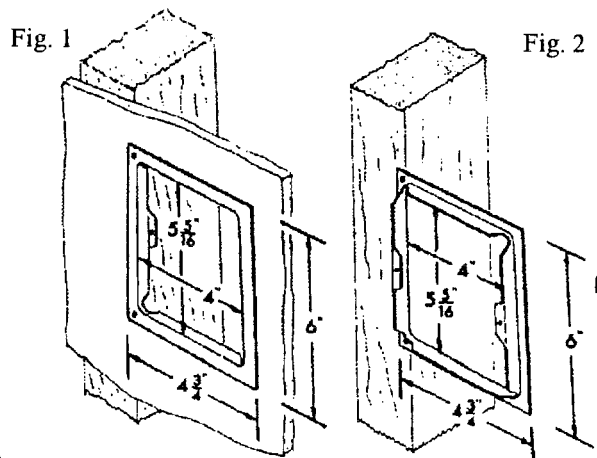
EQUIPMENT LOCATION AND HOUSING INSTALLATION

Remote Speakers: Locate speakers where needed at convenient speaking height. Do not install too close to the master speaker. Do not install back to back or on a common wall with the master speaker.

Inside Speakers: Install IH102 housing as shown in Fig. 1. Reverse housing for use on unfinished walls as shown in Fig. 2. Leave about 2" (5 cm) of wall space on all sides.

Desk Mounting: Use IH400A desk cabinet.

Master Speaker: Locate master where needed at convenient speaking height. Do not locate master near any source of direct heat, or too close to transformers, light dimmers or other electrical devices or wiring. Do not install too close or on a common wall with remote speakers. Install IH102 housing as shown in Fig. 1 or Fig. 2. Leave about 2" (or 5 cm) of wall space on all sides.



Transformer: IMPORTANT! Connecting this equipment to any power source other than a standard 16 VAC 10VA transformer voids all guarantees. If there is no existing transformer, a SS105B plug-in type transformer may be used and must be provided with an electrical outlet at some convenient location within 50 feet of the master speaker (15 meters).

A SS102A-type transformer may also be used and may be installed on the fuse panel or other accessible source of 117 VAC within 50 feet of the master speaker. (Observe local electrical codes.)

Wiring: Run 3-conductor, twisted cable #22 from each remote speaker directly to the master speaker location.

Run 2-conductor #18 cable from the master speaker to the transformer location.

Leave sufficient cable at each end to make connections (about 10" or 25 cm).

Make connections as shown on the Typical Wiring Diagram Fig. 3. Be sure to add a jumper between the pushbutton and the speaker on the remote station as shown on the wiring diagram.

SM103B OPERATING AND CHECKOUT INSTRUCTIONS

- At Remote:
1. Push button to call master; release to converse.
- At Master:
1. Push selector button (marked STN. 1, STN. 2) if appropriate station is not already chosen.
 2. Push TALK button to speak; release to listen.
 3. Push OFF button to turn system off when desired.
 4. Adjust VOLUME as desired. NOTE: If the volume is too high, distortion or howling may result.

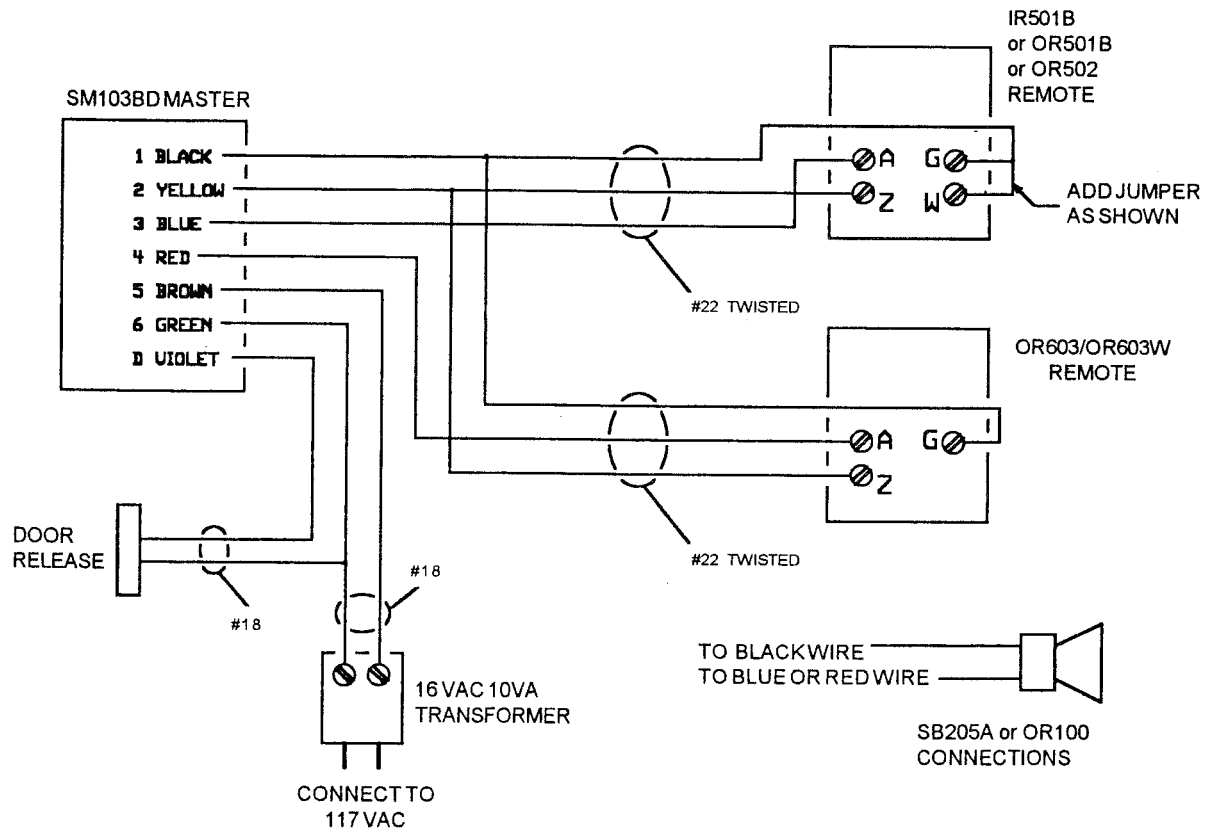


42 Central Drive
Farmingdale, NY 11735-1202
TOLL-FREE 1-800-666-4800

Phone (631) 777-5500 Fax: (631) 777-5599
Email: info@alpha-comm.com
Internet: http://www.alpha-comm.com

SM103B TYPICAL WIRING DIAGRAM

Fig. 3



- NOTE: 1. SHIELDED CABLE IS RECOMMENDED FOR MASTER TO REMOTE WIRING IF THE CABLE WILL BE RUN NEAR ELECTRICAL WIRING OR EQUIPMENT. IF SHIELDED CABLE IS USED, CONNECT DRAIN WIRE TO TERMINAL #1 ON MASTER.
2. FOR USE WITH THE SM103B, DELETE ALL DOOR RELEASE WIRING.