



Installation Instructions for DS100 Audible-Visual Annunciator

DS100 Door Sentry & Emergency Alarm System

IL171
Section D
Rev. 12 - 05/2011

Application

The DS100 Door Sentry & Emergency Alarm System is a zoned, audible-visual alarm-indicating system designed to monitor doors, windows, or any devices using open or closed contact switches, including momentary emergency push buttons.

Interruption or making of a circuit causes the specific light indicator to latch on at the master panel and generate an alarm tone which may be silenced without cancelling the visual signal. The visual signal can only be reset at the master.

The PK2019/A Power & Control Unit provides power, control and signalling circuits, plus a normally open and a normally closed auxiliary contact. Screw terminals are provided for wire termination. The PK2019/A is surface mount, and is enclosed in an extruded aluminum case (PK2019) or a flame-retardant (UL® 94V-0) plastic case (PK2019A).

Equipment Installation

PK2019/A Power & Control Unit

Terminal R1 is common, Terminal R2 is Normally Open (NO), and Terminal R3 is Normally Closed (NC). The PK2019/A Power & Control Unit provides a full-form "C" dry contact.

System Components

Model

*DS100/4 Speaker Panel with 4 lights
 *DS100/8 Speaker Panel with 8 lights
 *DS100/12 Speaker Panel with 12 lights
 *DS100/16 Speaker Panel with 16 lights
 *DS100/20 Speaker Panel with 20 lights
 (DS100-series includes test button and tone-off button & light.)

Description

*AM100/24 Add-on 24 lights
 *AM100/28 Add-on 28 lights
 *AM100/32 Add-on 32 lights
 *AM100/36 Add-on 36 lights
 (AM100-series includes test button)

PK2019/A Power & Control Unit
 SS106 Transformer
 ST019 or ST025 Magnetic contact
 OF200 Series Frame
 OH200 Series Housing (Flush)
 OH300 Series Housing (Surface)
 IH300 Series Desk Housing

* These panels can be special ordered for parallel annunciation by adding suffix "P" to the part number.

Figure 1—Housing and Frame Dimension Chart

*Number of Zones	Flush	Width Cut-Out	Surface	Width Overall	Frame	Width Overall	Desk	Width
4-20	OH201	4-1/2"	OH301	6-1/8"	OF201	6-1/4"	IH302	9-1/2"
24-56	OH202	8-1/2"	OH302	10-1/8"	OF202	10-1/4"	IH302	9-1/2"
60-92	OH203	12-1/2"	OH303	14-1/8"	OF203	14-1/4"	IH303	13-1/2"
96-128	OH204	16-1/2"	OH304	18-1/8"	OF204	18-1/4"	IH304	17-1/2"
132-164	OH205	20-1/2"	OH305	22-1/8"	OF205	22-1/4"	IH305	21-1/2"
168-200	OH206	24-1/2"	OH306	26-1/8"	OF206	26-1/4"	IH306	25-1/2"

IH300 Series desk cabinets height: 6" depth: 17"
 OH200 Series wall cut-out height: 16-1/8" depth: 3-7/8"
 OH300 Series overall height: 17-3/4" depth: 3-5/8"
 OF200 Series overall height: 17-3/4" depth: 2-1/2"

*Available only in groups of four.

Figure 2—PK2019A Tone Volume Shunt Settings



ALPHA COMMUNICATIONS® • 42 Central Drive • Farmingdale, NY 11735-1202

Toll-Free Technical Line: 1-800-666-4800 • Phone: (631) 777-5500 • Fax: (631) 777-5599

Website: www.AlphaCommunications.com • Email: info@alphacommunications.com

Figure 3—PK2019/A with PM023/4 Module and Normally Closed Switches

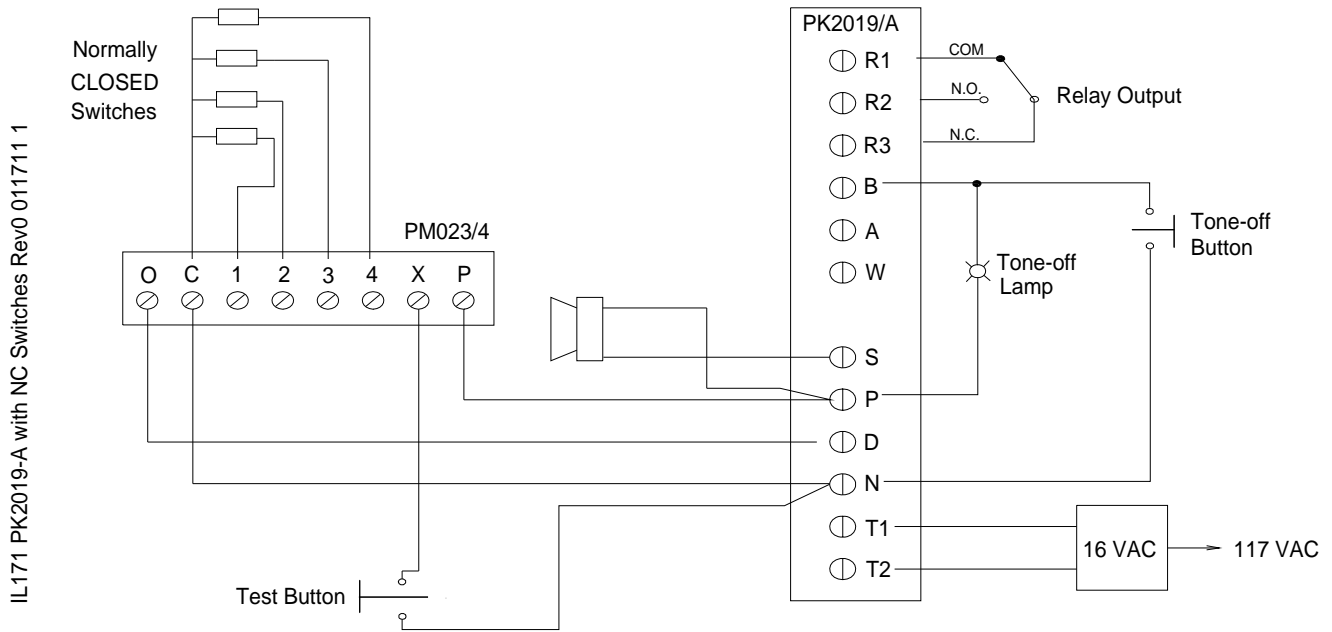


Figure 4—DS100 in Parallel with CM800 Panel and Normally Closed Switches

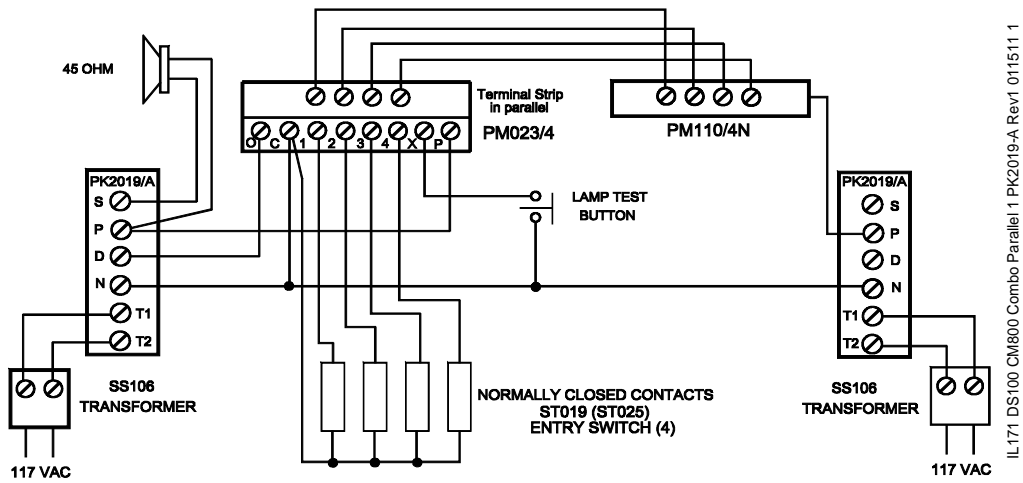
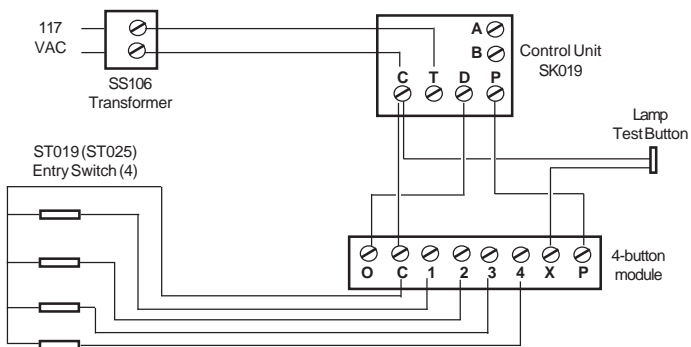


Figure 5—Typical Connection Diagram for Closed Circuit Detection

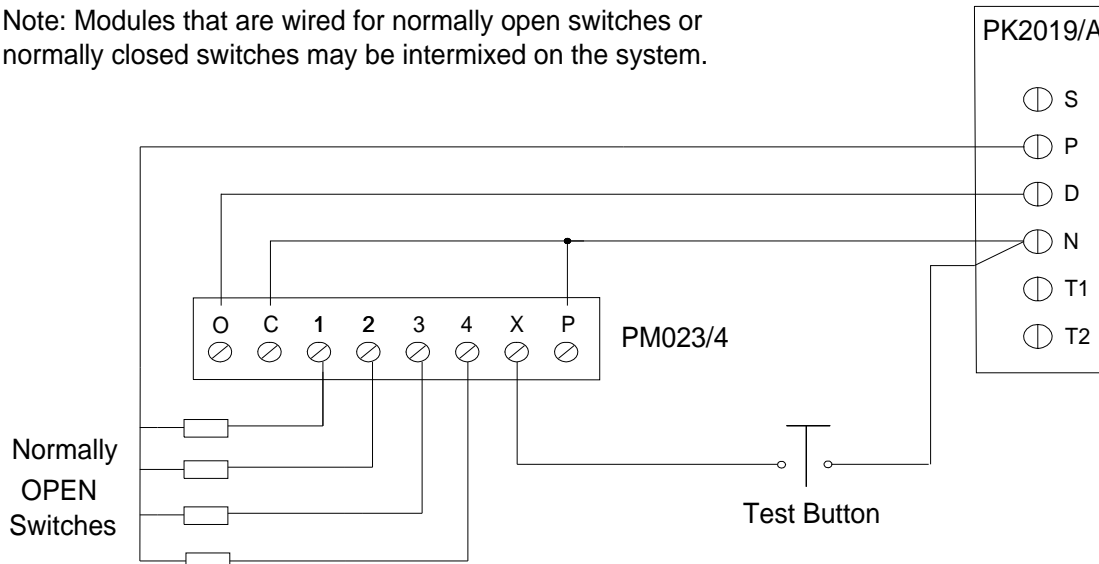


Notes:

1. #18 wire recommended
2. Detection switches must be closed during normal supervision
3. Use 16 volts VAC for power

Figure 6—PK2019/A with PM023/4 Module and Normally Open Switches

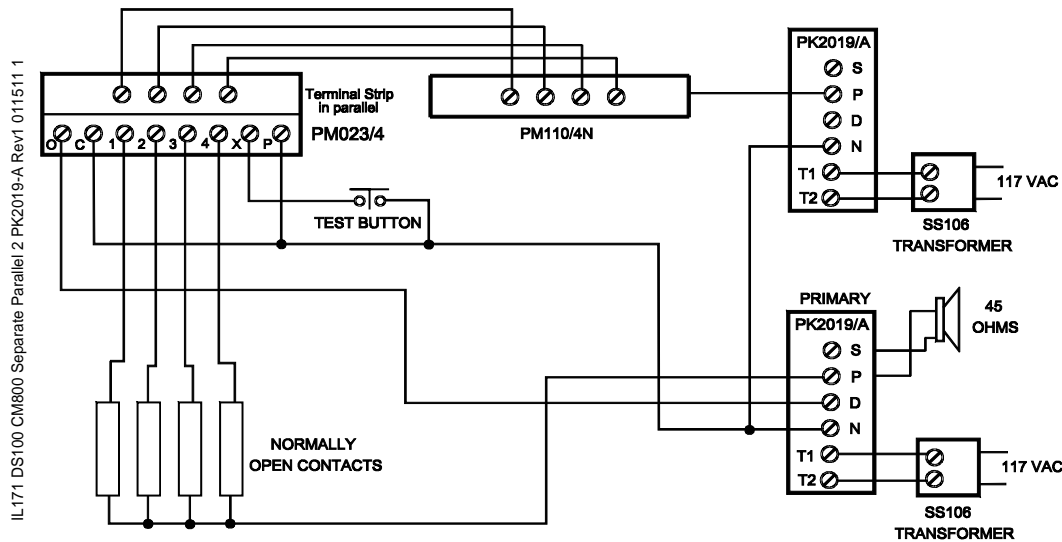
Note: Modules that are wired for normally open switches or normally closed switches may be intermixed on the system.



(For remaining connections and terminal ID, see Figure 3).

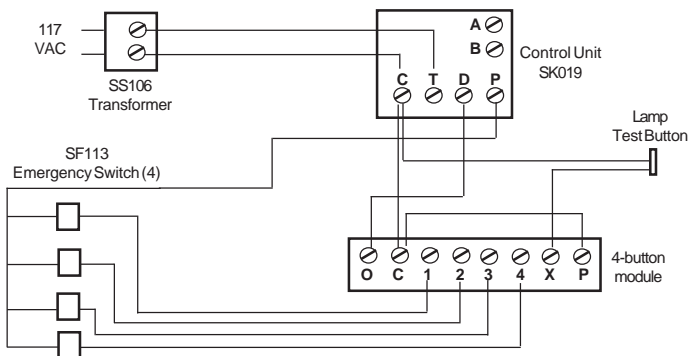
IL171 PK2019-A with NO Switches Rev0 011711 1

Figure 7—DS100 in Parallel with CM800 Panel and Normally Open Switches



IL171 DS100 CM800 Separate Parallel 2 PK2019-A Rev1 011511 1

Figure 8—Typical Connection Diagram for Open Circuit Detection



Notes:

1. #18 wire recommended
2. Detection switches must be open during normal supervision
3. Use 16 volts VAC for power