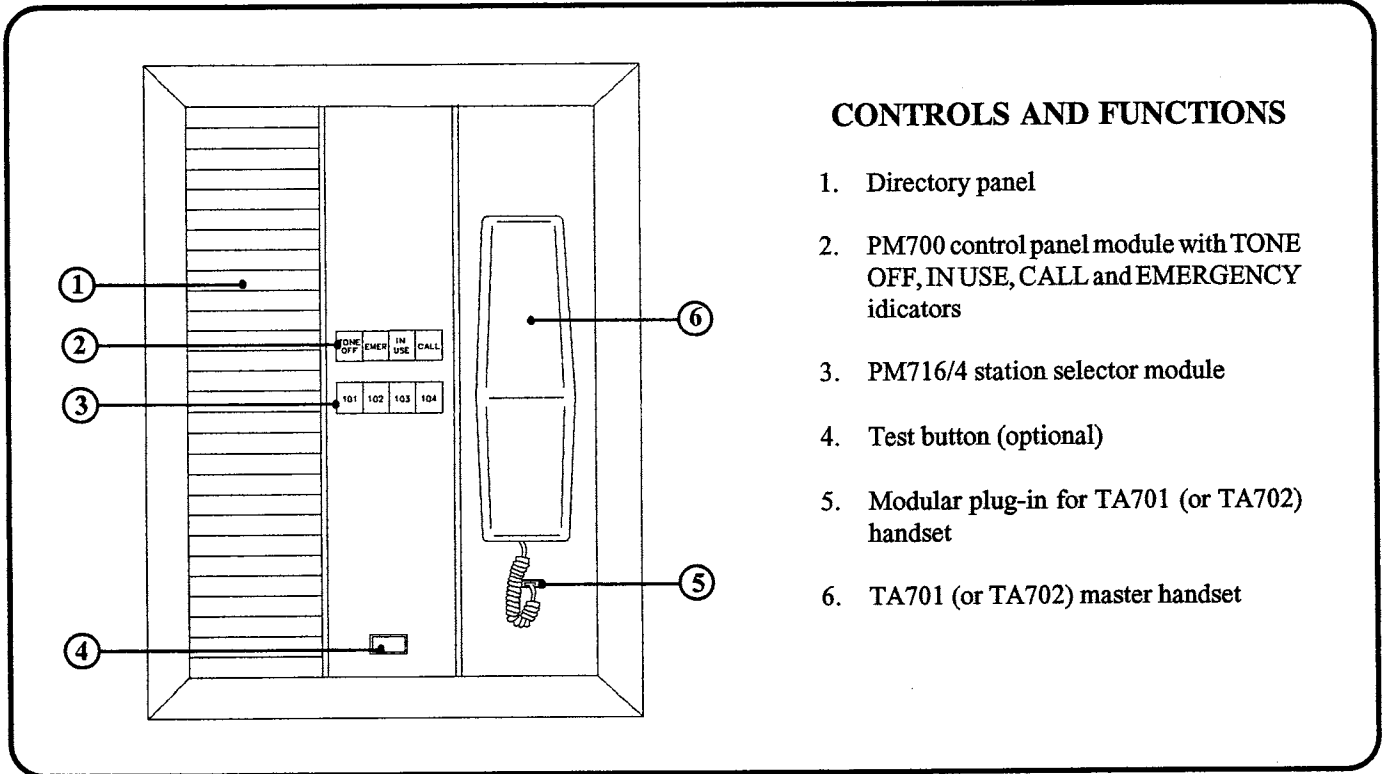




Installation Instructions

CM700A TEK-LITE



CONTROLS AND FUNCTIONS

1. Directory panel
2. PM700 control panel module with TONE OFF, IN USE, CALL and EMERGENCY indicators
3. PM716/4 station selector module
4. Test button (optional)
5. Modular plug-in for TA701 (or TA702) handset
6. TA701 (or TA702) master handset

APPLICATION

The Tek-Lite intercom provides telephonic, two-way communication between Master station and remote room telephones. Calls from room telephones are registered simply by lifting the handset, and are announced by a steady light and adjustable call tone.

Calls to room telephones are by a pleasant electronic tone which is adjustable to modulated or steady. Optional equipment is available to provide emergency signaling by a flashing light and rapidly repeating buzzer signal.

PROCEDURE

1. Read the following instructions to determine equipment location and installation methods before proceeding.
2. Install housings and wiring.
3. Install equipment.
4. Apply power and check for correct operation.

EQUIPMENT

<u>Part No.</u>	<u>Description</u>
CM-700A	Tek-Lite Master station. System includes PM-700 control panel module, TA-701 (or TA-702) master handset, one or more PM-716/4 station selector modules, frame and housing (see chart, page 2).
PK-700	Master control unit.
SS-106	Transformer.
TA-700	Room telephone.
TA-701	Master handset
SF-117/2 (optional)	Emergency station.
PK-710 (optional)	Emergency control unit.
TA702 (optional)	Master handset (use when adding Emergency Call)

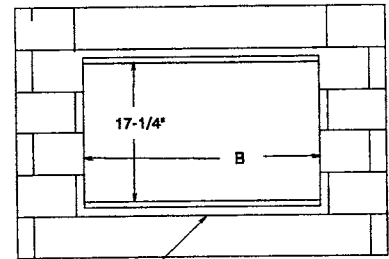
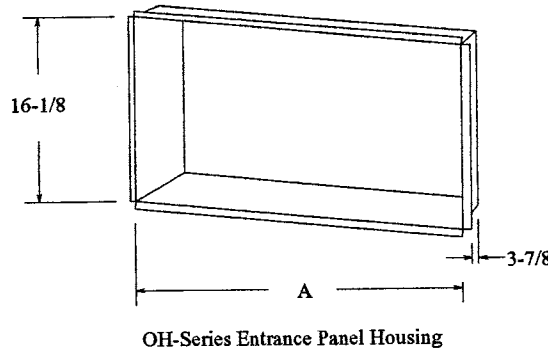
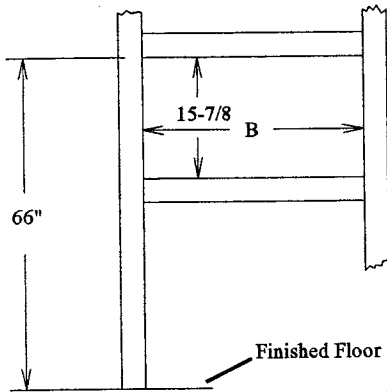


FRAME AND HOUSING CHART

Number Of Stations	Housing				Wall Opening Width B
	Frame	Flush	Surface	Console	
4 - 32	OF203	OH203	OH303	IH303	12-1/2
33 - 68	OF204	OH204	OH304	IH306	16-1/2
69-104	OF205	OH205	OH305	IH306	20-1/2
105 - 140	OF206	OH206	OH306	IH306	24-1/2

Note: Add number of stations as suffix for model number (i.e., CM700/40).

Entrance Panel Rough-In Framing Detail



In masonry wall, install 1/2" x 4" wood fillers at top and bottom of opening for housing attachment.

EQUIPMENT LOCATION AND WIRING

Room Telephones should be located where needed. Telephones may be wall or desk mounted. For wall mounting, install single-gang outlet box vertically at the desired location. Run 2-conductor #22 twisted pair to the master location.

Master Station should be located within easy reach of operating personnel. Keep away from extreme heat or cold. Wall mounting requires installation of any OF200 series frame and an OH200 series housing. PK700 control unit will be located inside the master. For multiple master installations, see Multiple Master Systems section.

Transformer may be located on fuse panel or other convenient source of 117 volts A.C. Run 2-conductor #18 to master location. If cable run is more than 50 feet, use #16 wire.

Emergency Stations (optional) should be located where needed (bedrooms, bath, etc.). Install a single-gang outlet box vertically at the desired location. Run 1-conductor #22 to the room telephone and 1-conductor #18 (common) to the PK710 emergency control unit.

Emergency Control Unit should be located near the master (less than 100 feet). Run 3-conductor #18 to the master location.

WARRANTY INFORMATION

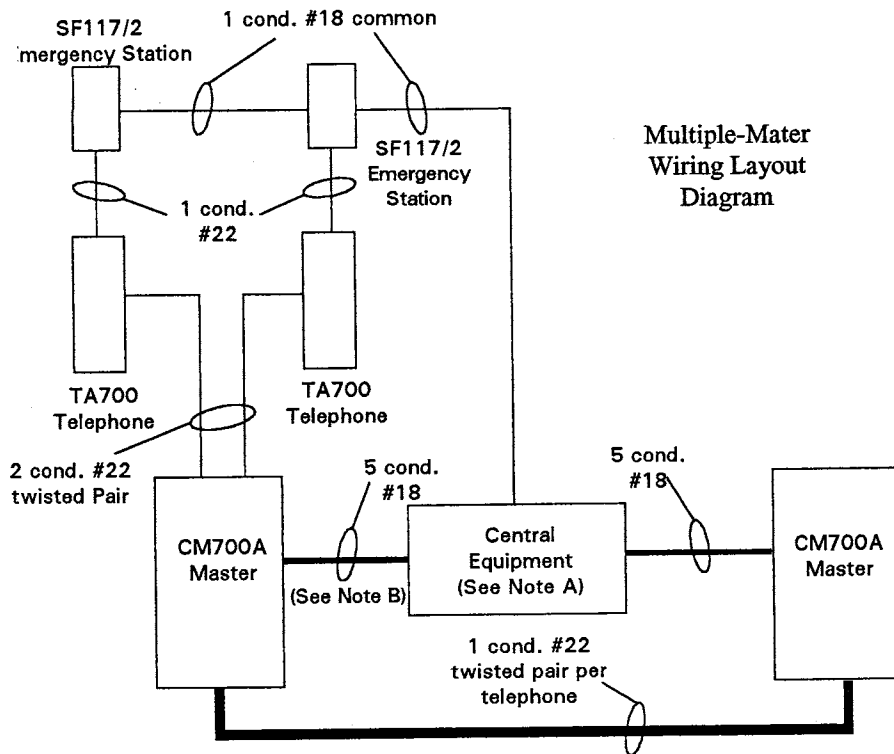
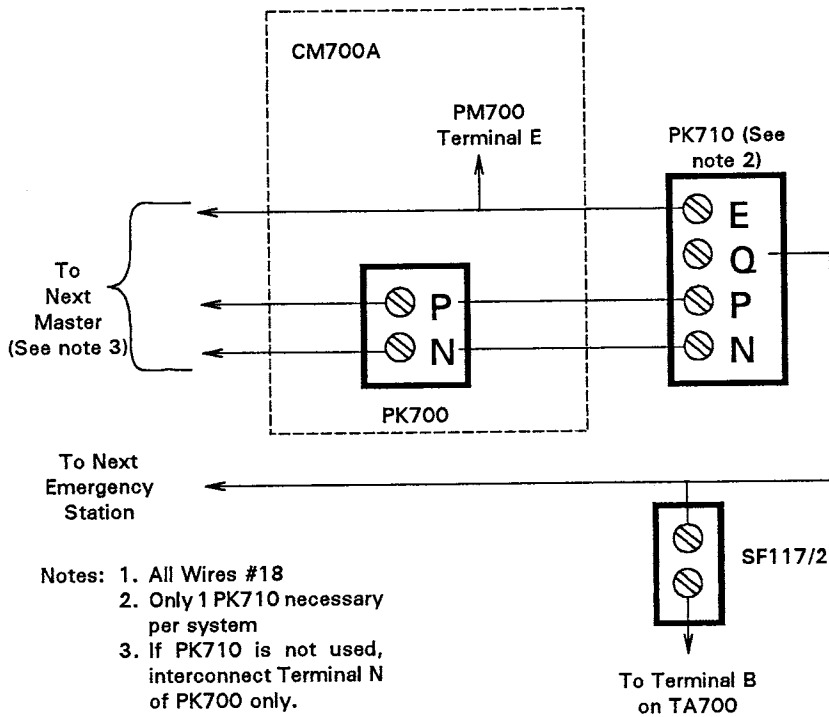
ekTone® warranty is void if this system is installed or used in any manner other than described in this manual. Any altering, tampering or removing of warranty label voids all warranties expressed or implied.

TROUBLESHOOTING

If the system fails to operate properly, check the wiring and observe the following points:

Fault	Checkpoints
Entire System Dead	117 volts A.C. at transformer primary; 16 volts A.C. at transformer secondary; 16 volts A.C. at PK700 terminals T1 and T2; short on PK700 P and N terminals; defective PK700
No call-in from any room	PM700 wiring; TA701 (or TA702) wiring; defective TA701 (TA702) or PK700
No call from or to any room	Wiring to room telephone; defective TA700
No call-out to any room	PM700 wiring; defective PK700
Steady call-in	Shorted or reversed wires to room telephone
No talking to any room	TA701 wiring; defective TA701 (or TA702)
No talking to one room	Wiring to room telephone; defective TA700
No emergency signal	Wiring to PK710 or room telephones; defective PK710

CM700A Multiple Master and Emergency Connections



- Note A: PK710 and transformer located in this area
- Note B: Run 1 cond. between masters if PK710 not used

Multiple Master Systems:

1. Room telephones may connect to any master.
2. Run 2-conductor #22 twisted pair per room telephone between masters and connect to the same selective terminals on each master. DO NOT reverse polarity.
3. Run 1-conductor #18 (use #16 if more than 100 feet) from master to master. See Multiple Master Connecting Diagram for connections.

OR

If PK710 is used, run 5 cond. #18 (use #16 if more than 100 feet).

Connections and Installation:

Before connecting, be sure wires are free from shorts or grounds. Make connections as shown on Connecting Diagram, and complete installation as follows:

1. Install room telephone on boxes, if wall mounted. Fasten base to telephone and put handset on cradle.
2. Install master panels in frame by inserting top of panel into top channel, then push panel in at the bottom channel. Set all selector switches to the out or OFF position.
3. Install emergency stations on boxes (if used). Set each switch to the OFF position.
4. Connect power transformer primary to 117 volts A.C.

Test and Checkout:

Check operation of entire system in accordance with operating instructions. In multiple master systems, the operation must be checked at each master. If a fault is found, stop testing and proceed to the troubleshooting section.

Adjustments:

1. The incoming tone volume control and the intercom volume controls are located on the back of the TA701 (or TA702) master handset and may be adjusted as needed.
2. The incoming call tone is normally slowly repeating. To make a steady tone, connect terminal W to terminal N on the PK700 control unit.
3. The room telephone call tone is normally modulated. To make a steady call tone, disconnect terminal Z on the PM700 control panel module from terminal Z on the PK700 and connect it to terminal K on the PK700 control unit.

OPERATING INSTRUCTIONS

Room Telephones:

1. Calls are announced by tone signal. Lift handset to reply.
2. To call the master, lift the handset. A soft tone signal will indicate that the master is being called. If the tone signal is not heard, the master is busy. Hang up and call later.

Emergency Station (optional):

1. Switch emergency station ON and wait for help.

Master:

1. Telephone calls are announced by a steady or slowly repeating tone signal and by an illuminated station button. The IN-USE lamp will light when the handset is off the cradle.
2. When communication is through, push button to release station and return the handset to its cradle. If the handset is placed on the cradle while a station is selected, a steady tone will be heard.
3. Emergency calls (optional) are announced by a rapidly repeating buzz and a flashing station lamp. Emergency calls can only be canceled at the point of origin.
4. To call a room telephone, lift the handset and press the

appropriate station button. Listen to see if the room is conversing with another master and if not, press the CALL button. When finished, release the station button and return handset to cradle.

Light Test (optional):

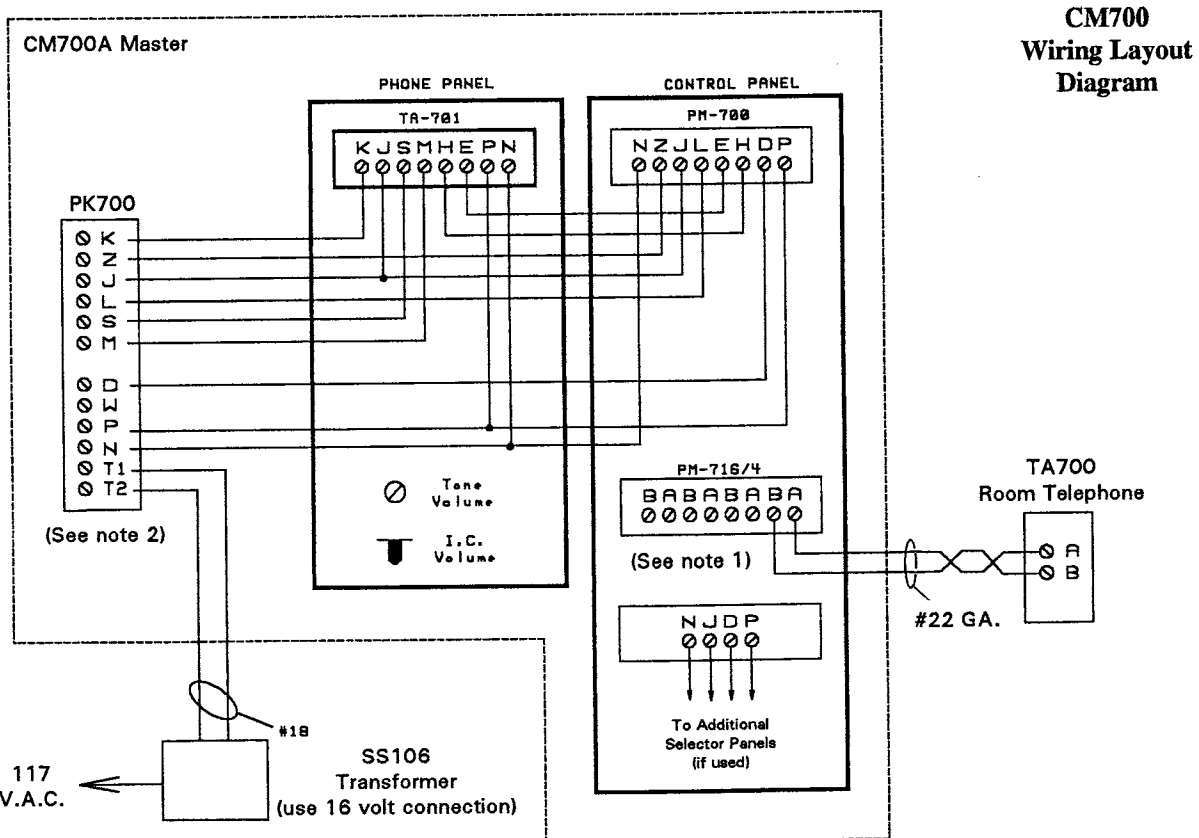
1. To test lamps, push TEST button on the bottom of each selector panel. All of the call lamps on the panel should light.

Lamp Replacement:

1. Access lamps by removing the transparent lens on the pushbutton.
2. After replacing the lamp, be certain to replace the pushbutton identification and lens.

Button Identification:

1. Carefully remove transparent lens, then mark insert using dry transfer lettering or other appropriate means.
2. Replace insert and lens.



- Notes:
1. If multiple masters are used, connect selective terminals to corresponding B, A terminals on other masters.
 2. If multiple masters are used, interconnect terminal 'N' on PK710. Use #18 GA.

Note: CM700 master internal wiring is pre-wired at the factory. The SS106 transformer and TA700 room telephones are wired during installation.