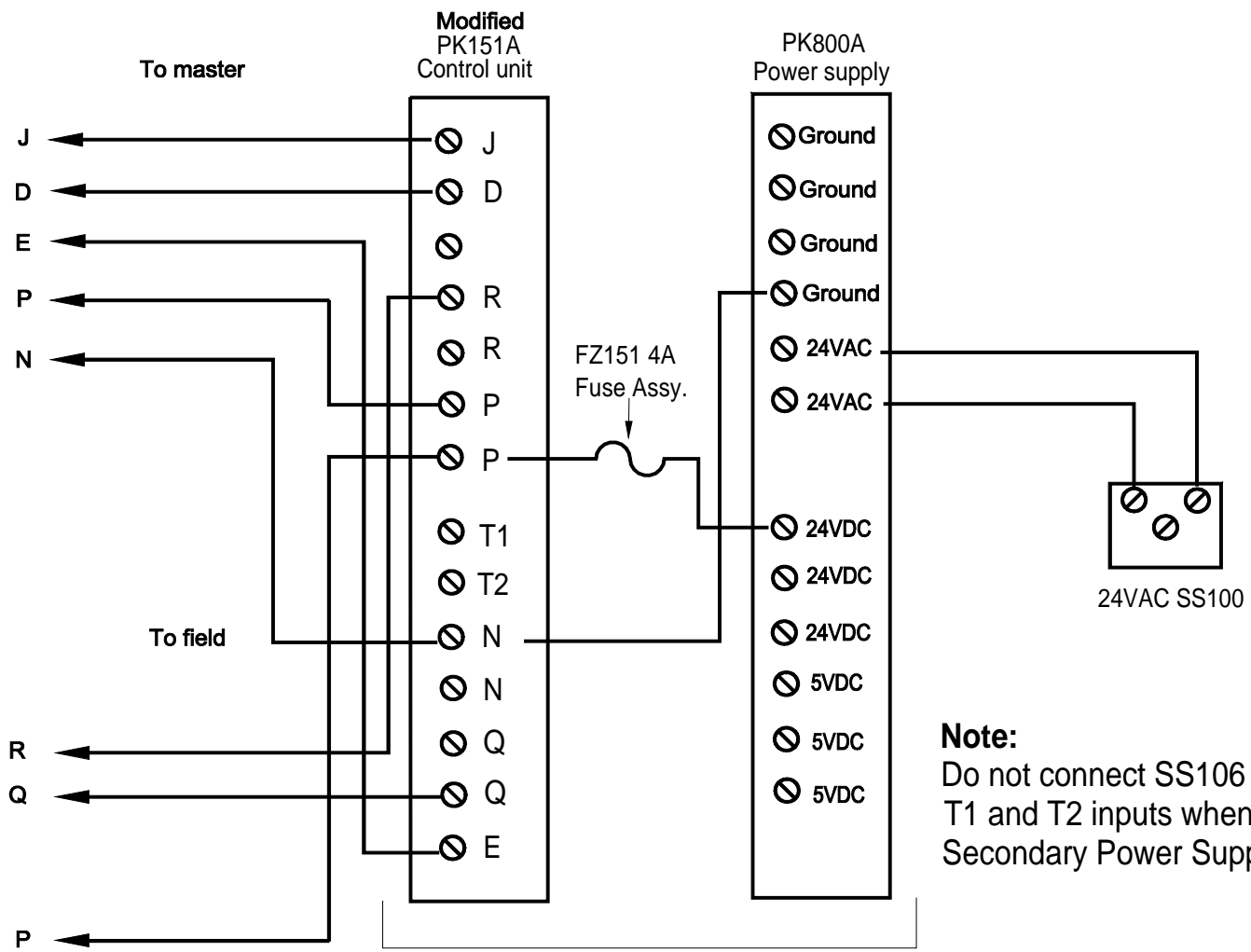


Figure 13—PK151A to PK800A Interconnection



Note:
Do not connect SS106 Transformer to PK151A, T1 and T2 inputs when interconnecting PK800A Secondary Power Supply!

Mount within 2 feet of each other.

IL381 PK151A PK800A Interconnection Rev0 122602 1