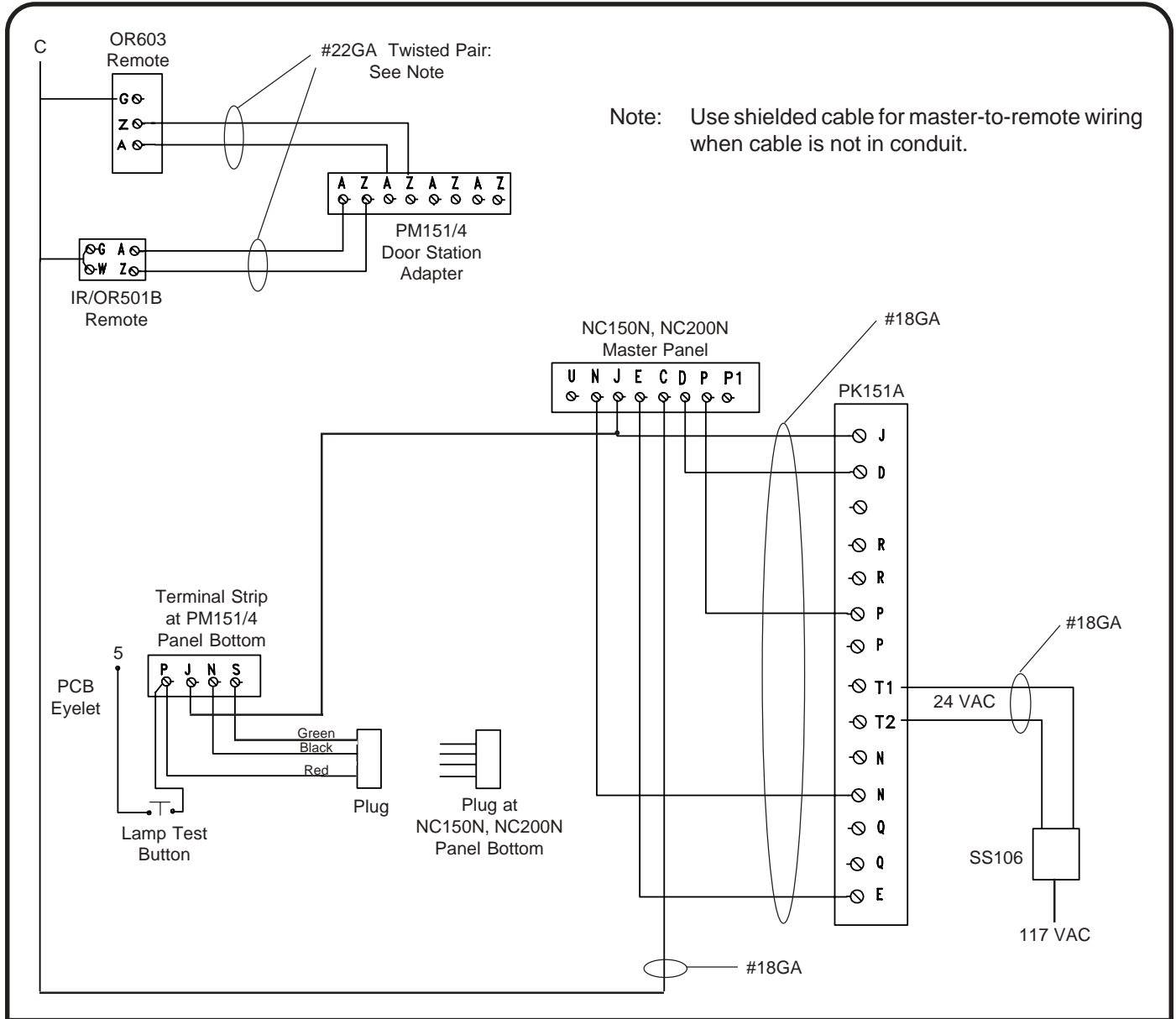




# PM151/4 Door Answering Module for Tek-CARE® NC150N, NC200N Wiring Diagram

IL392  
Section E  
Rev. 7 - 09/2004



## OPERATION

1. Incoming calls are indicated by tone and lamp annunciation.
2. To answer a call, press the associated station selector button and use the **TALK** button as instructed in the Tek-CARE® NC150N Manual.
3. To call a remote, press the associated station selector button, then press the **CALL** button to transmit the call tone. Use the **TALK** button as instructed in the Tek-CARE® NC150N Manual.
4. Release the station selector button at the end of the conversation.