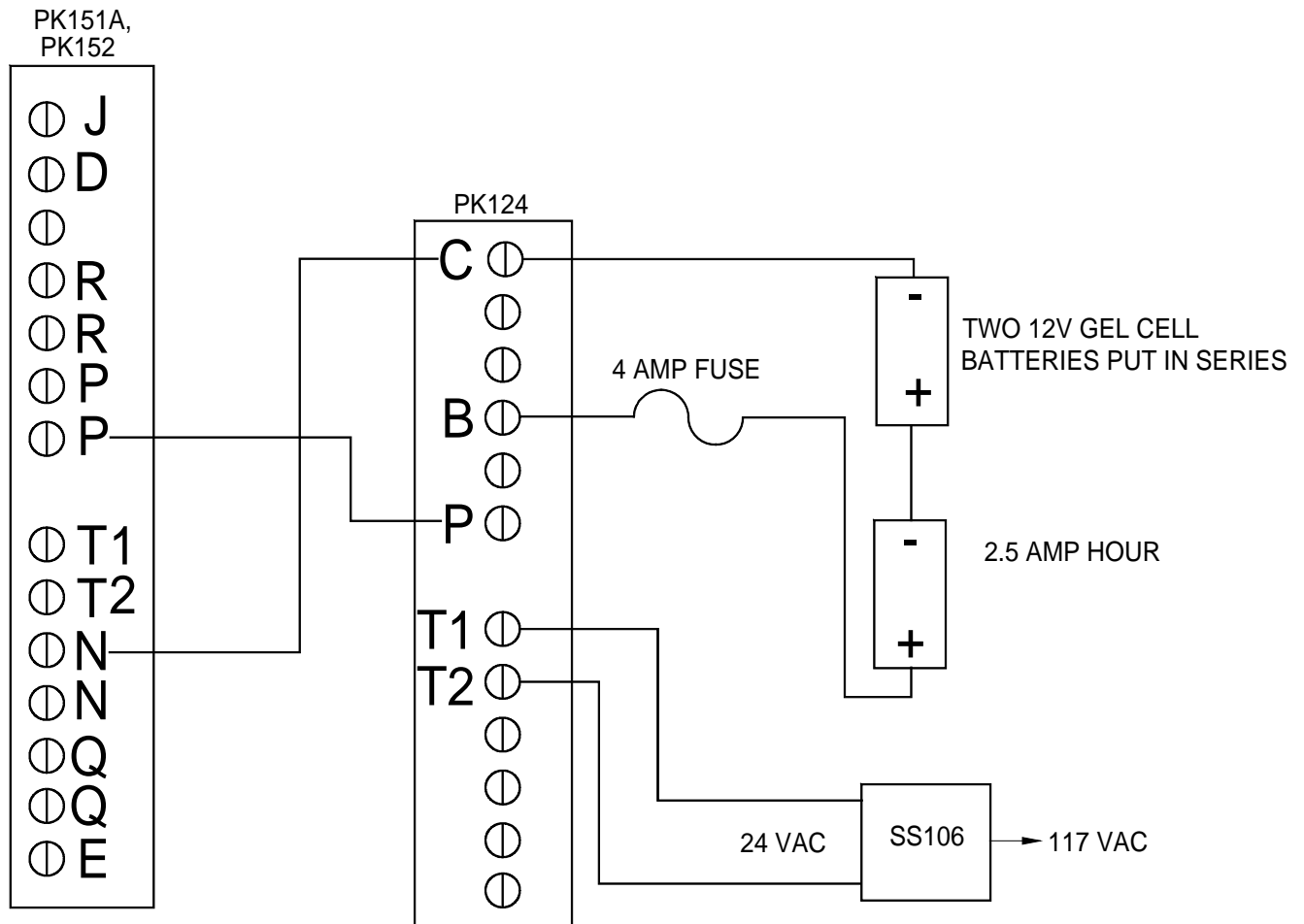




# Wiring Diagrams for PK124 Battery Charger

IL426  
Section E  
Rev. 10-05/2011

## PK124 to PK151A or PK152 (NC110N, NC150N, NC200N) Interconnect Wiring Diagram



Copyright © TekTone Sound & Signal Mfg., Inc. All Rights Reserved.

IL426 PK124 to PK151A PK152 Interconnect Wiring Diagram Rev1 031811 1

**Notes:**

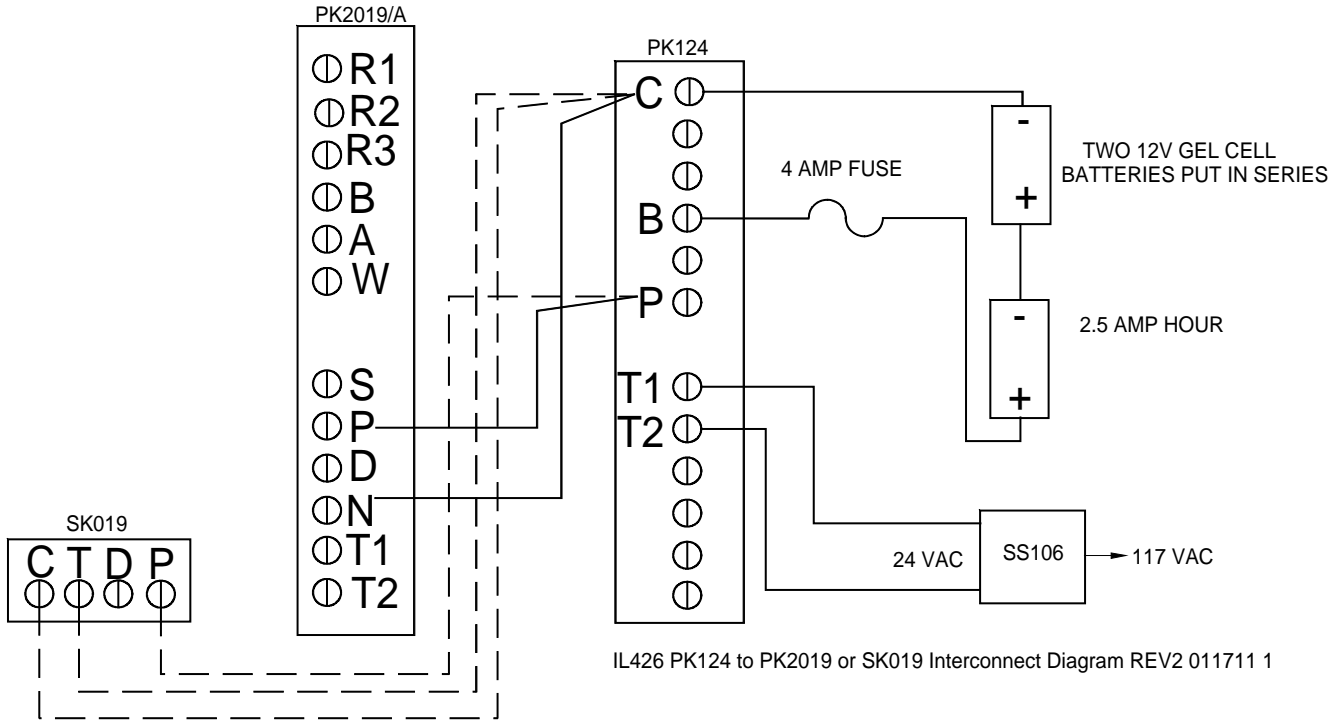
1. Do not connect transformer to PK151A or PK152.
2. Use 24 VAC connections on SS106 transformer.
3. All wiring #18 unless shown.
4. See installation manual for additional PK151A or PK152 connections.

**ALPHA COMMUNICATIONS® • 42 Central Drive • Farmingdale, NY 11735-1202**

Toll-Free Technical Line: 1-800-666-4800 • Phone: (631) 777-5500 • Fax: (631) 777-5599

Website: [www.AlphaCommunications.com](http://www.AlphaCommunications.com) • Email: [info@alphacommunications.com](mailto:info@alphacommunications.com)

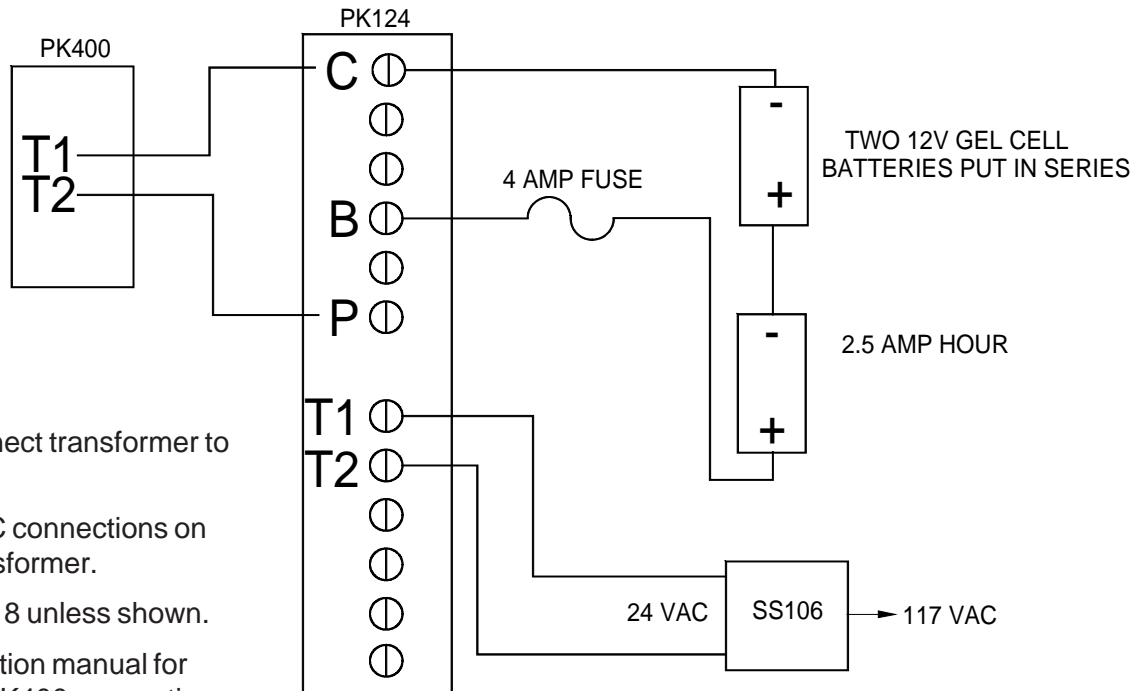
## PK124 to PK2019/A (CM800, CM900) or SK109 (DS100) Interconnect Wiring Diagram



### Notes:

1. Do not connect transformer to PK2019/A or SK019.
2. Use 24 VAC connections on SS106 transformer.
3. All wiring #18 unless shown.
4. See installation manual for additional PK2019/A or SK019 connections.

## PK124 to PK400 Interconnect Wiring Diagram



### Notes:

1. Do not connect transformer to PK400.
2. Use 24 VAC connections on SS106 transformer.
3. All wiring #18 unless shown.
4. See installation manual for additional PK400 connections.