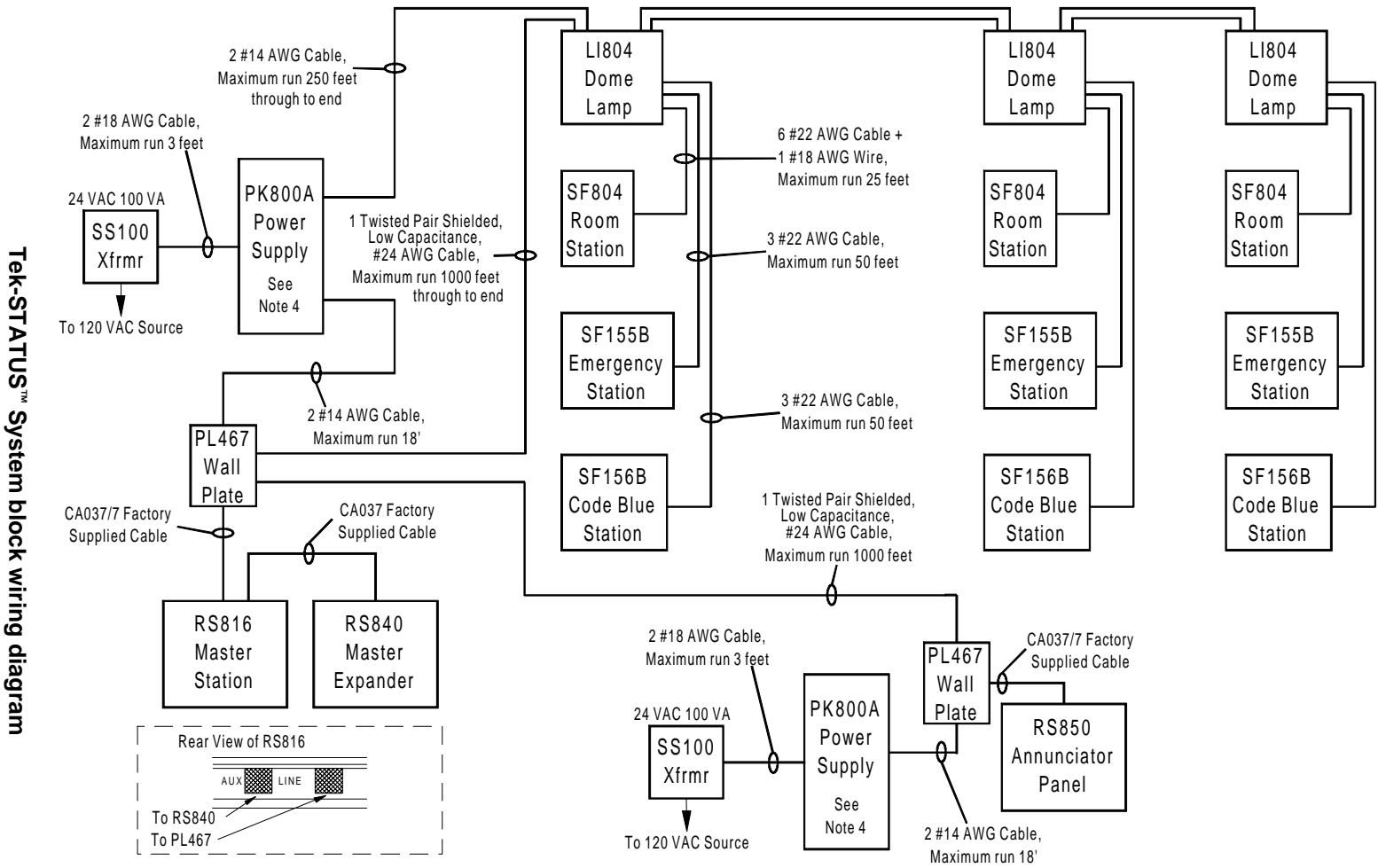


This Block Wiring Diagram is a subset of IL667 Rev. 7 - 12/2002, and is provided for quotation purposes only. Refer to the manual for complete wiring and installation instructions.



Drawing Number & Name: IL667 RS800 Block Rev2 112002 1

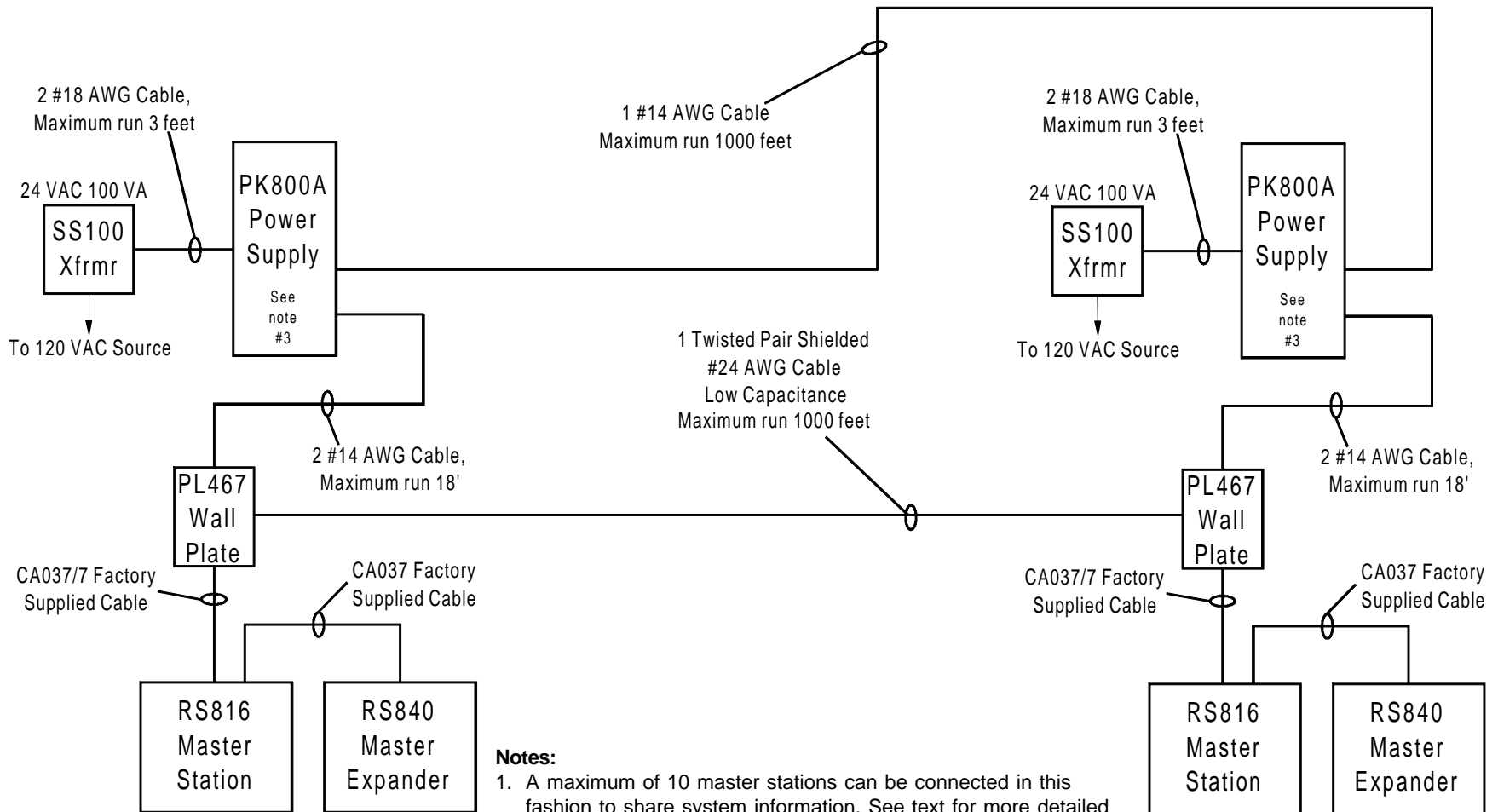
**Notes:**

1. 1 PK800A can support 1 RS816, 1 RS840, 8 LI804, 8 SF804, 8 SF155B and 8 SF156B. Equipment above this limit requires additional PK800A Power Supplies.
2. DO NOT "T" tap LI804 common cables.
3. 8 LI804 maximum on a common run.
4. When using multiple PK800A units connect all grounds together (common).
5. All wiring is stranded.
6. Read entire manual to ensure all wiring requirements are met!

Tek-STATUS™ System block wiring diagram

ALPHA COMMUNICATIONS®

Tek-STATUS™ Multiple Master Block Wiring Diagram



**Notes:**

1. A maximum of 10 master stations can be connected in this fashion to share system information. See text for more detailed information.
2. DO NOT "T" tap data buss cables.
3. When using multiple PK800A units connect all grounds together (common)
4. All wiring is stranded.
5. Read entire manual to ensure all wiring requirements are met!

Drawing Number & Name: IL667 RS800 Block2 Rev1 091902 1

This Block Wiring Diagram is a subset of IL667 Rev. 7 - 12/2002, and is provided for quotation purposes only. Refer to the manual for complete wiring and installation instructions.