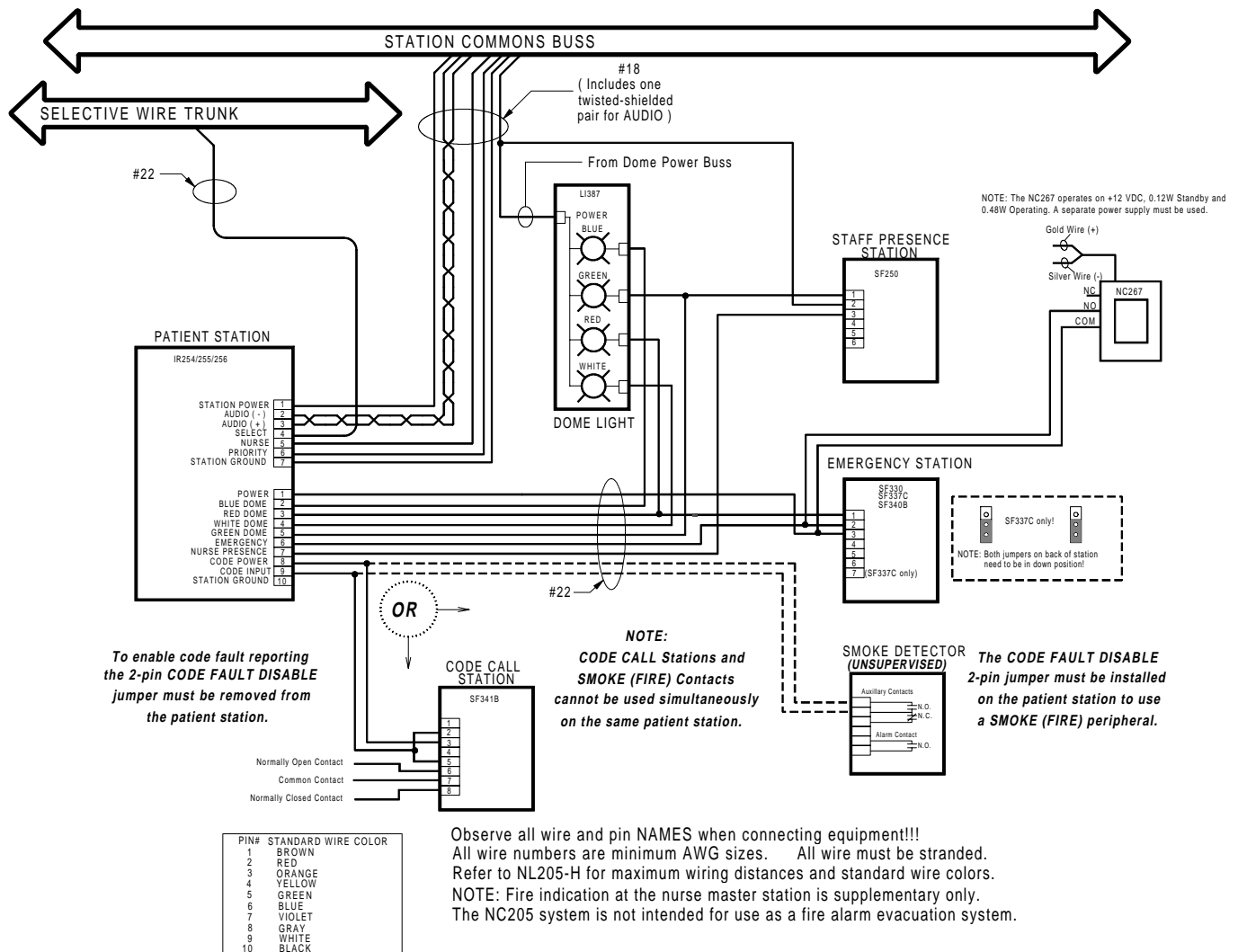




NC267 / NC367 / SF067 Wireless Transmitter and Receiver Installation Instructions

IL686
Section E
Rev. 3-12/2000

IR254-IR256 ENHANCED STATION WIRING with NC267 (includes "SF" and "LI" peripherals)

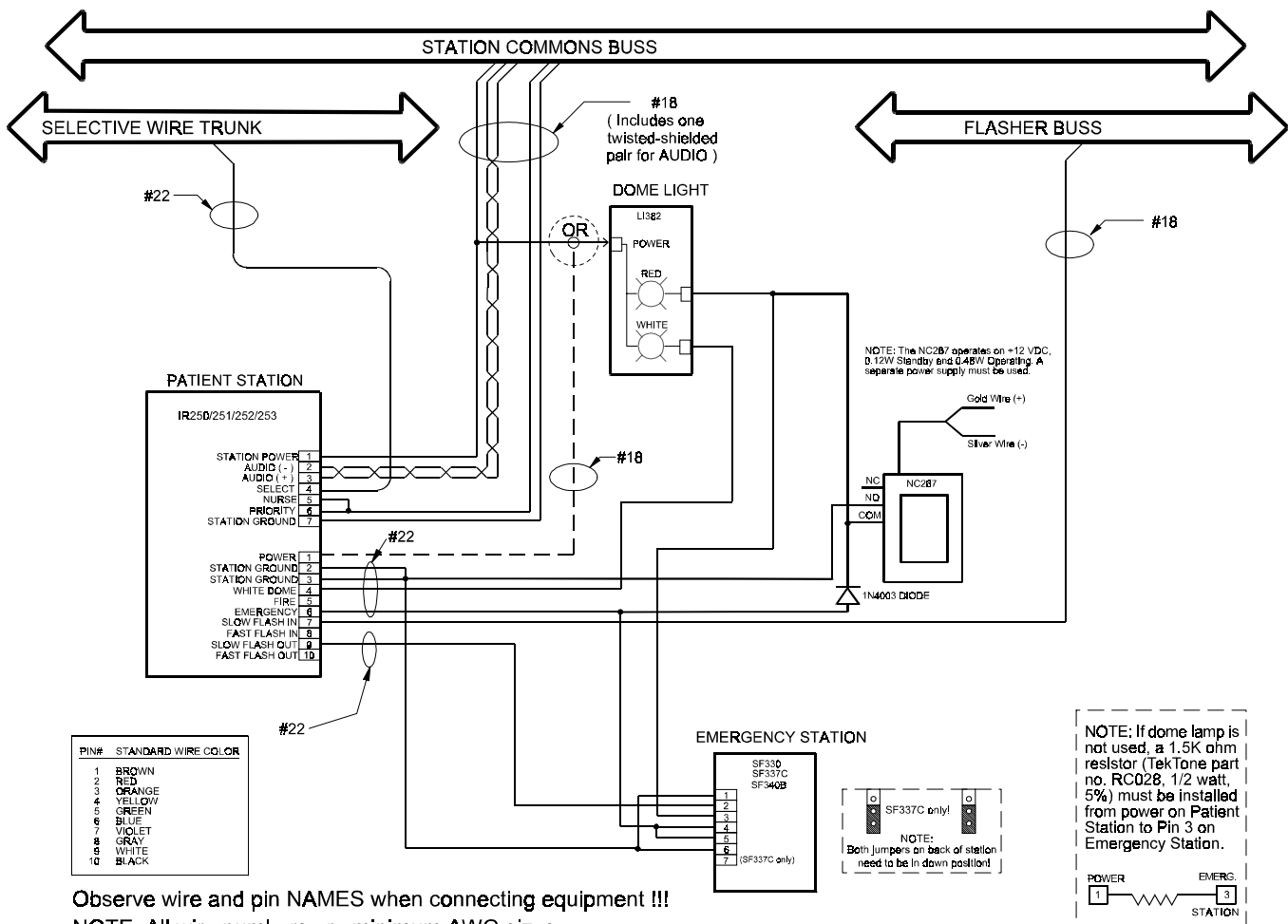


IL686 NC267.dc

Alpha Communications® • 42 Central Drive • Farmingdale NY 11735-1202
TOLL-FREE Technical Line 1-800-666-4800 • Phone 631-777-5500 • Fax 631-777-5599

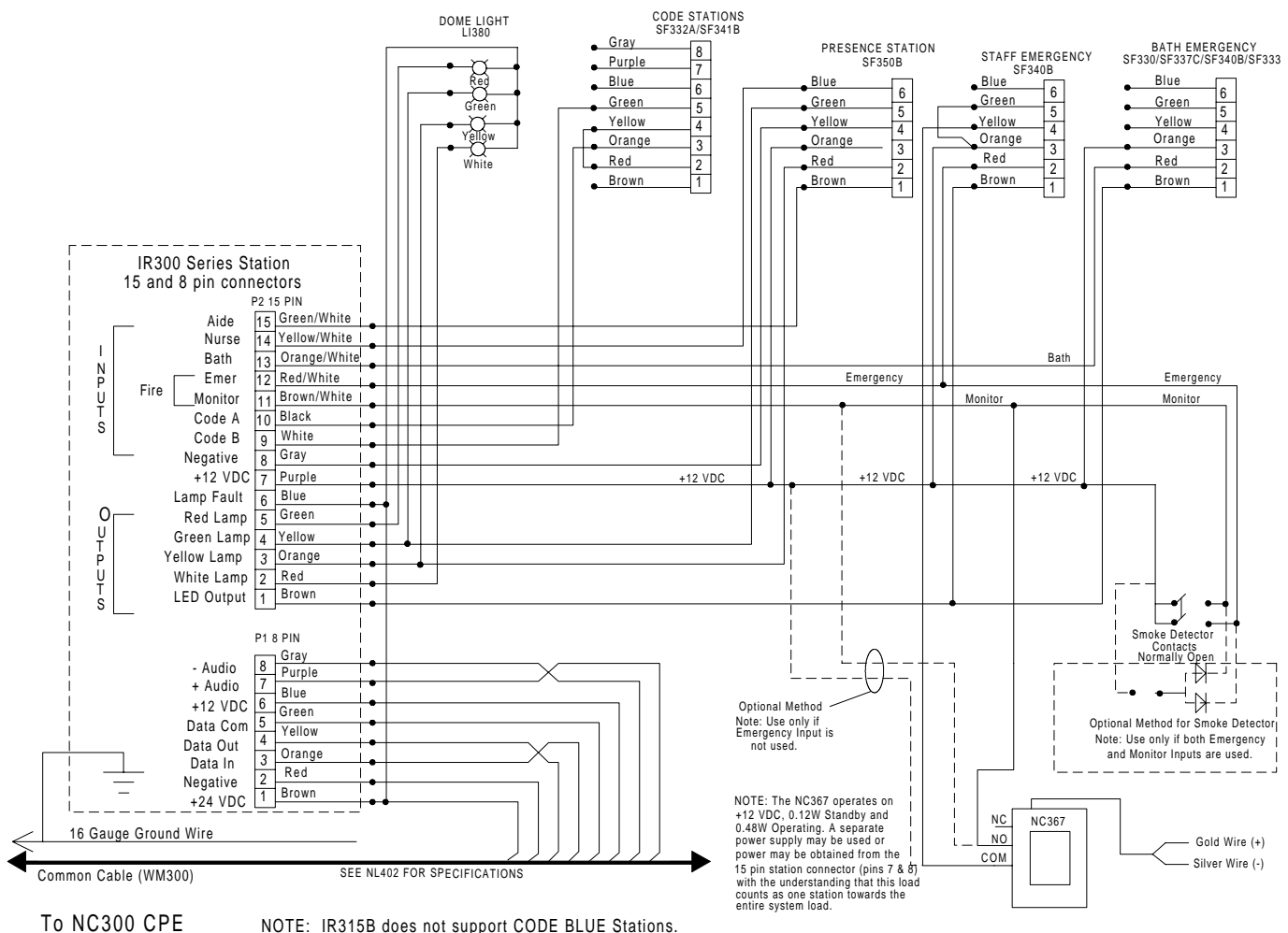
World Wide Web Site: www.alpha-comm.com — Email: info@alpha-comm.com

IR250-IR253 STANDARD STATION WIRING with NC267 (includes "SF" and "LI" peripherals)

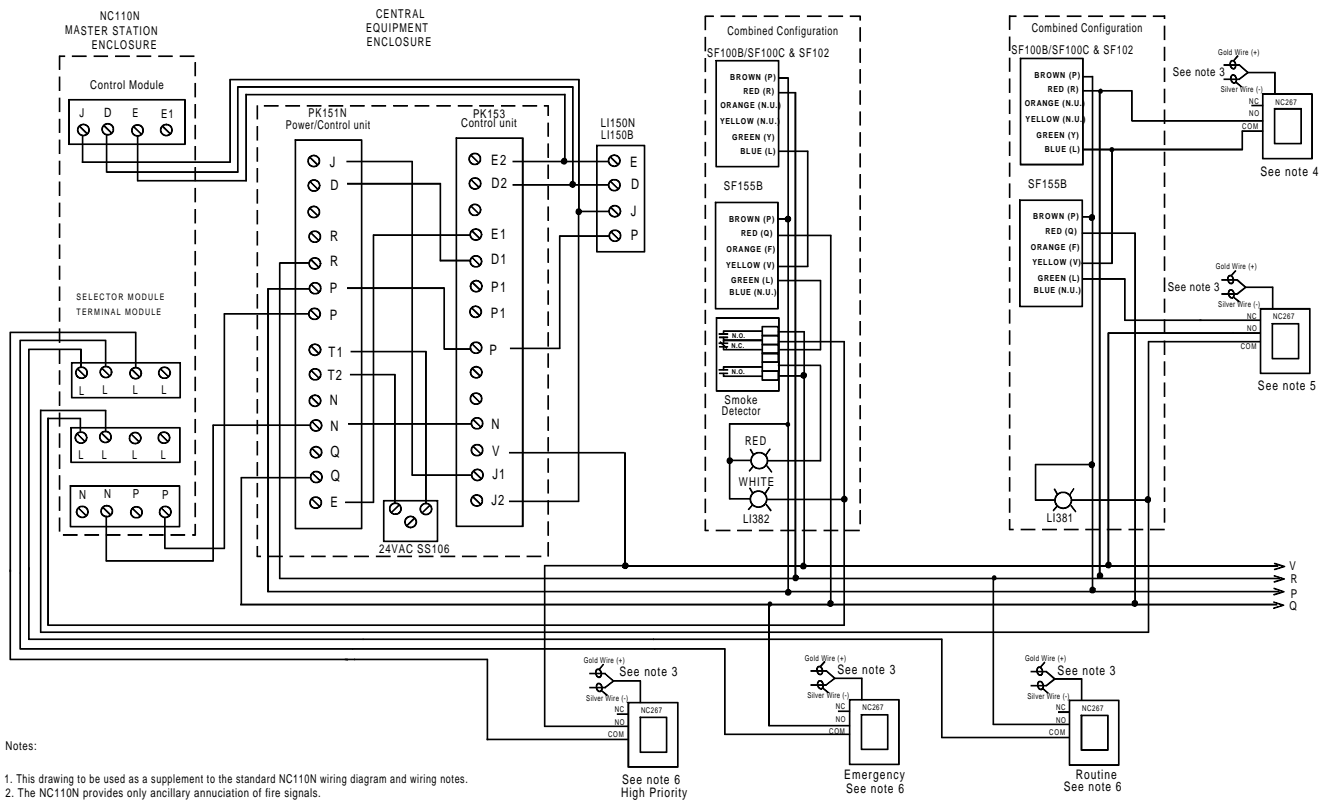


IL686 NC267.fh5

IR300B SERIES CONNECTIONS TO NC367 (with peripheral devices)



NC267 Wiring Diagram for NC110N System



Notes:

1. This drawing to be used as a supplement to the standard NC110N wiring diagram and wiring notes.
2. The NC110N provides only ancillary annunciation of fire signals.
3. The NC267 operates on +12 VDC, 0.12W Standby and 0.48 Operating. A separate power supply must be used.
4. Pendant/receiver in parallel w/patient station, places routine call.
5. Pendant/receiver in parallel w/smoke detector, places high priority call.
6. Stand-alone single call priority.

NC267 Wiring Diagram for NC150N/200N System

