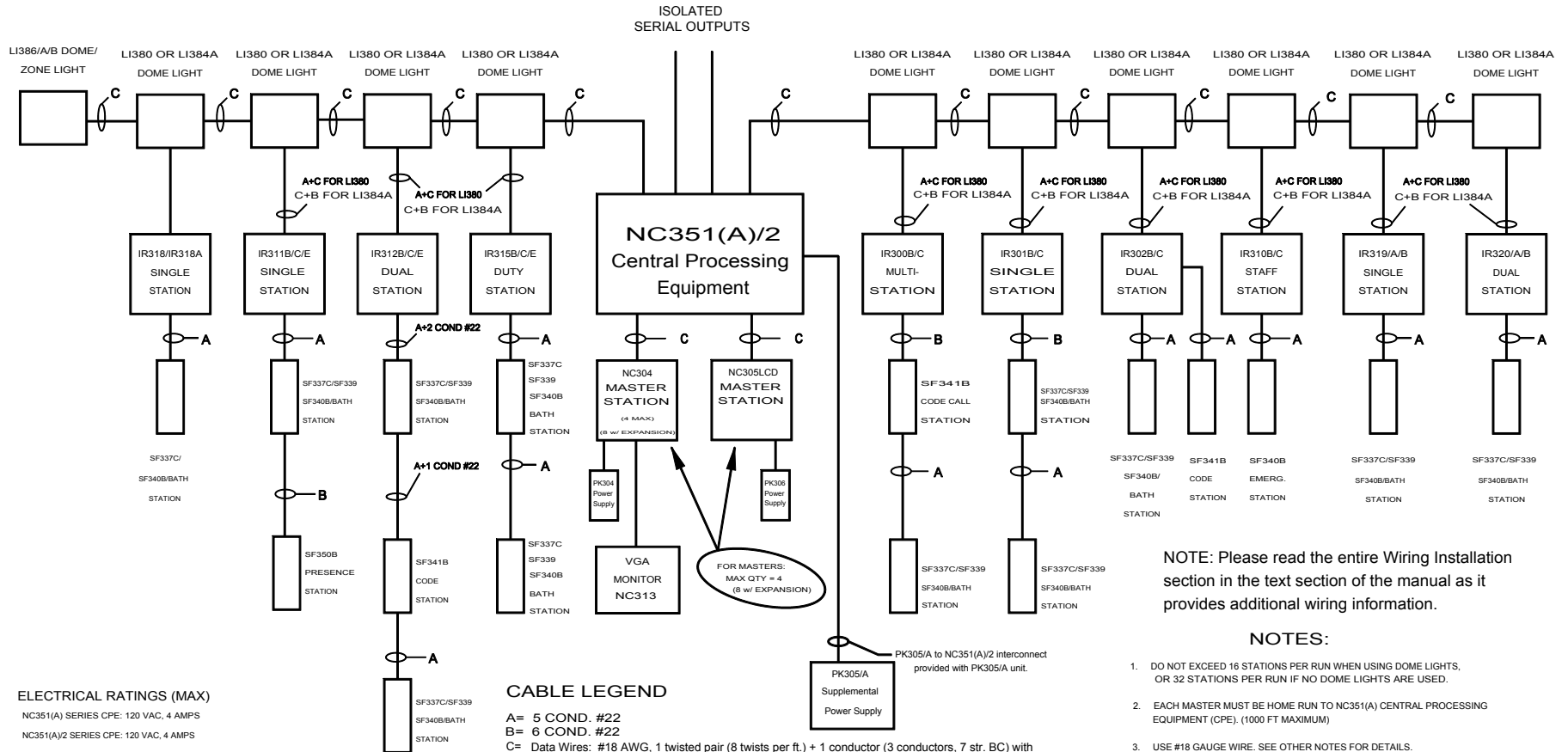




Tek-CARE® NC300II Block Wiring Diagram

This Block Wiring Diagram is a subset of IL715 Rev. 19 – 07/2013, and is provided for quotation purposes only. Refer to the manual for complete wiring and installation instructions.



ELECTRICAL RATINGS (MAX)

- NC351(A) SERIES CPE: 120 VAC, 4 AMPS
- NC351(A)2 SERIES CPE: 120 VAC, 4 AMPS
- PK304 Master Station Power Supply: 120 VAC, 0.5A
- PK305A SUPPLEMENTAL POWER SUPPLY: 120 VAC, 4 AMPS (use only with NC351(A)2)
- NC304 MASTER: See PK304 information
- NC305LCD MASTER: See PK306 information
- NC313 VGA MONITOR: 120 VAC, .5 AMPS
- IR300B/C, IR301B/C, IR302B/C, IR310B/C, IR311B/C/E, IR312B/C/E, IR315B/C/E, IR319/A/B, IR320/A/B PATIENT, DUTY, STAFF STATIONS: 24 VDC, 250mA
- SF337C, SF339, SF340B, SF341B, SF350B BATH, CODE, EMERGENCY, PRESENCE STATIONS: 12 VDC, 30 mA
- LI380/LI384A DOME LIGHTS: 24 VDC, 200 mA
- LI386/A/B DOME/ZONE LIGHT: 24 VDC, 250 mA
- SF301PIR PILLOW SPEAKER: 12 VDC, 50mA
- PK352 BATTERY CHARGER: 24 VDC, 1.25 AMPS

CABLE LEGEND

- A= 5 COND. #22
- B= 6 COND. #22
- C= Data Wires: #18 AWG, 1 twisted pair (8 twists per ft.) + 1 conductor (3 conductors, 7 str. BC) with 100% aluminum/mylar shield and #20 AWG TC drain wire. Nominal insulation 0.017", nominal OD 0.245" and capacitance <24pF/ft. Recommended conductor colors are ORANGE, YELLOW and GREEN. Overall jacket.
- Power Wires: #18 AWG, 3 conductors (7 str. BC) with 100% aluminum/mylar shield and #20 AWG TC drain wire. Nominal insulation 0.009" and nominal OD 0.175". Recommended conductor colors are BROWN, RED and BLUE. Overall jacket.
- Audio Wires: #18 AWG, 1 twisted pair (8 twists per foot, 2 conductors, 7 str. BC) with 100% aluminum/mylar #20 AWG TC drain wire. Nominal insulation 0.017", nominal OD 0.235" and capacitance <24pF/ft. Recommended conductor colors are VIOLET and GRAY. Overall jacket.
- Ground Wire: #16 AWG, 1 conductor (26 str. BC) with nominal OD .101". Recommended color is BLACK.
- D= RG59U COPPER BRAID COAXIAL CABLE

NOTE: Please read the entire Wiring Installation section in the text section of the manual as it provides additional wiring information.

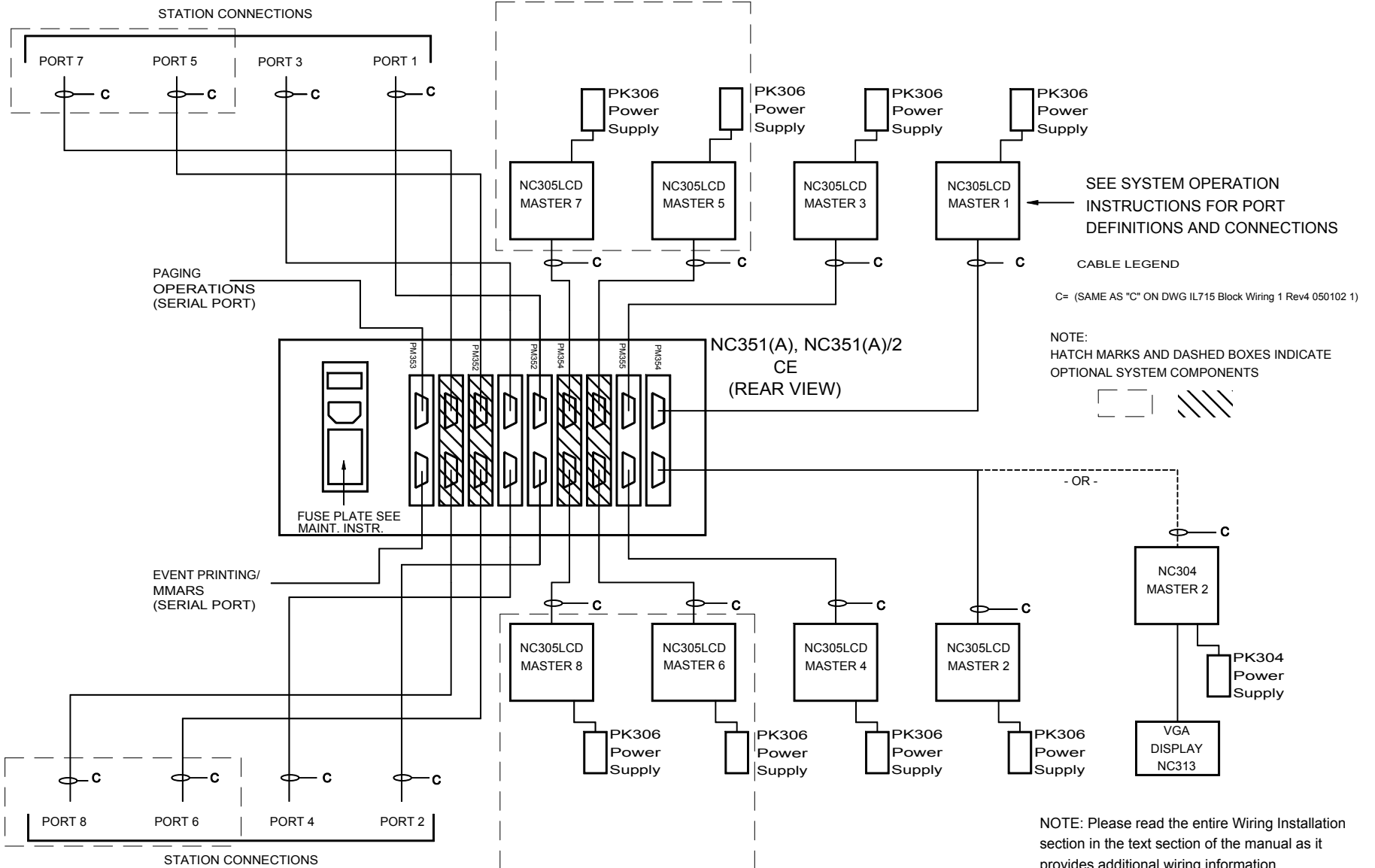
NOTES:

- DO NOT EXCEED 16 STATIONS PER RUN WHEN USING DOME LIGHTS, OR 32 STATIONS PER RUN IF NO DOME LIGHTS ARE USED.
- EACH MASTER MUST BE HOME RUN TO NC351(A) CENTRAL PROCESSING EQUIPMENT (CPE), (1000 FT MAXIMUM)
- USE #18 GAUGE WIRE. SEE OTHER NOTES FOR DETAILS.
- DO NOT RUN CONDUIT OR WIRE TO BOTTOM KNOCKOUTS ON IR SERIES STATION BOX. NO ACCESS IS AVAILABLE.
- UP TO 64 STATIONS MAY BE CONNECTED TO A SINGLE PORT, IF ALL CABLE REQUIREMENTS ARE MET. UP TO 256 STATIONS MAY BE CONNECTED TO STANDARD SYSTEM. UP TO 512 STATIONS MAY BE CONNECTED TO EXPANDED SYSTEM.
- NC351(A) SYSTEM SUPPORTS UP TO 4 NC304/NC305LCD MASTER STATIONS. NC351(A)2 SYSTEM SUPPORTS UP TO 8 NC304/NC305LCD MASTER STATIONS.



Tek-CARE® NC300™II System Connection Diagram

This Block Wiring Diagram is a subset of IL715 Rev. 19 – 07/2013, and is provided for quotation purposes only. Refer to the manual for complete wiring and installation instructions.



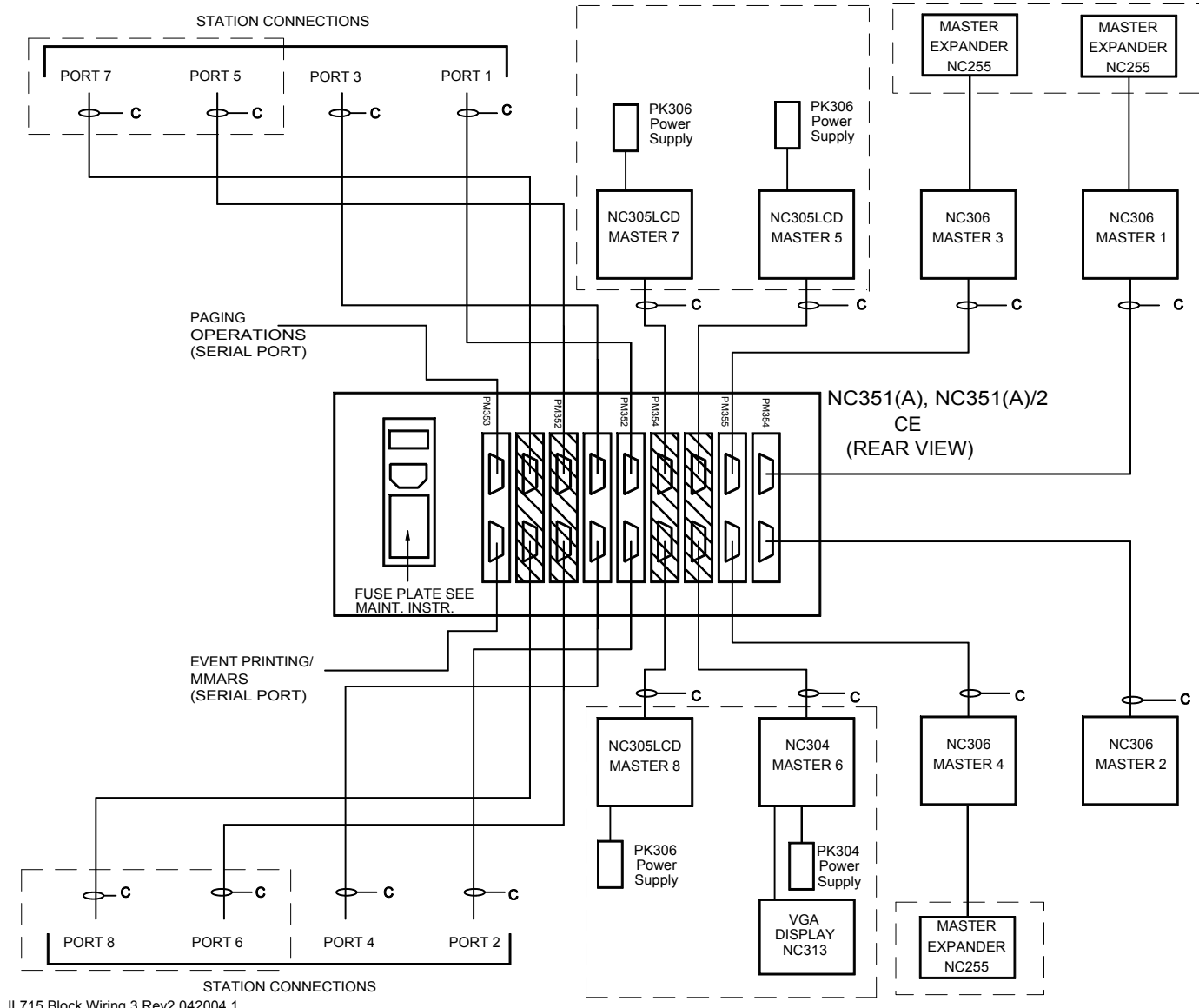
NOTE: Please read the entire Wiring Installation section in the text section of the manual as it provides additional wiring information.

Drawing Name & Number: IL715 Block Wiring 2 Rev5 121411 1



NC304, NC305LCD, NC306 Block Wiring Diagram

This Block Wiring Diagram is a subset of IL715 Rev. 19 – 07/2013, and is provided for quotation purposes only. Refer to the manual for complete wiring and installation instructions.



SEE SYSTEM OPERATION INSTRUCTIONS FOR PORT DEFINITIONS AND CONNECTIONS

CABLE LEGEND
C= (SAME AS "C" ON DWG IL715 Block Wiring 1 Rev4 050102 1)

NOTE: Please read the entire Wiring Installation section in the text section of the manual as it provides additional wiring information.

NOTE:
There is a limitation of four NC306 masters and three NC255 expanders per system.

NOTE:
HATCH MARKS AND DASHED BOXES INDICATE OPTIONAL SYSTEM COMPONENTS

