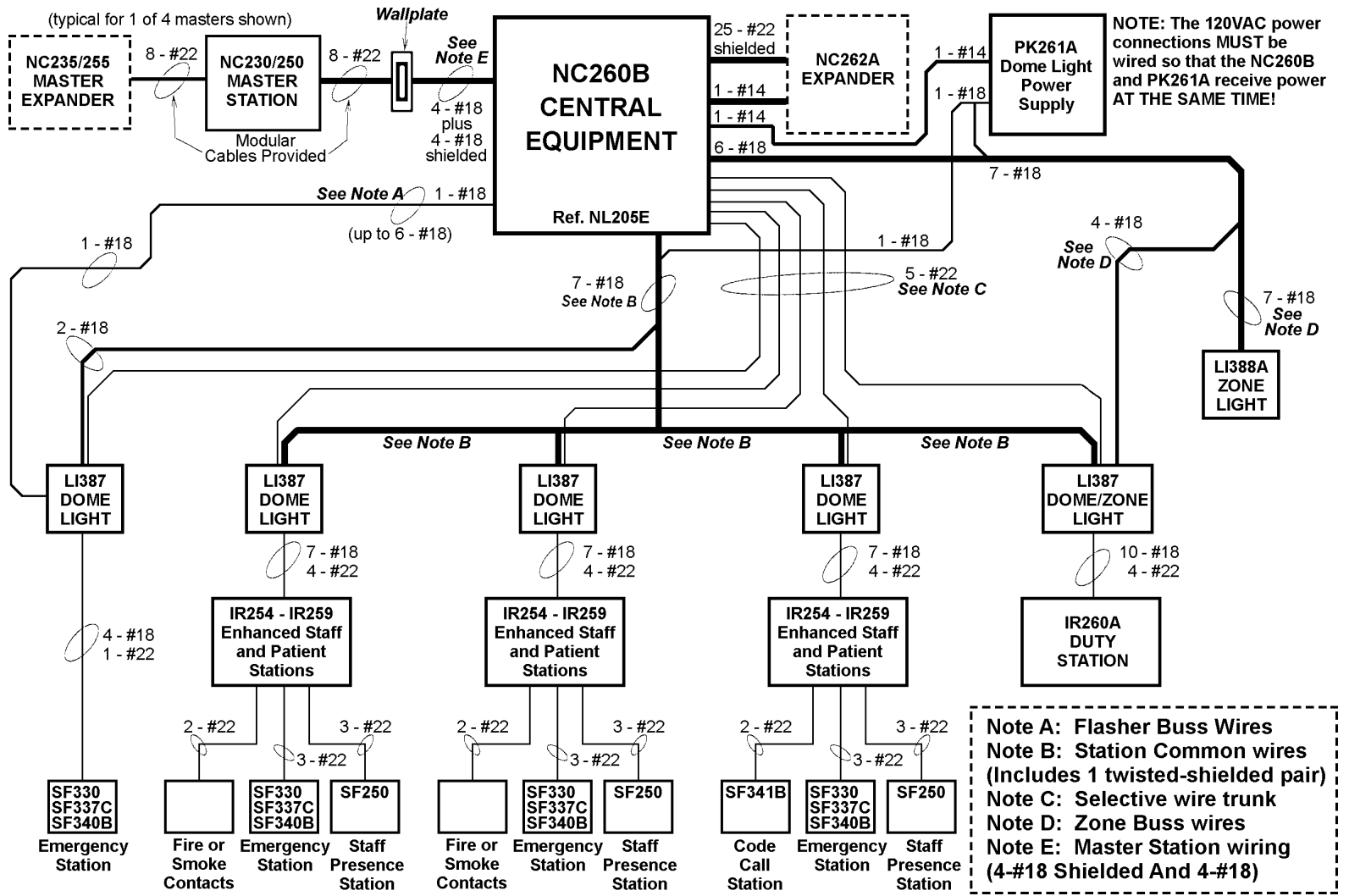


**ALPHA**  
COMMUNICATIONS

42 Central Drive, Farmingdale NY 11735-1202  
(631) 777-5500 Fax: (631) 777-5599  
TOLL-FREE Technical Line 1-800-666-4800  
Email: info@alpha-comm.com

**TYPICAL BLOCK WIRING DIAGRAM  
for NC205 Nurse-Call System with Enhanced  
type Stations and Dome Light Conduit Runs**



**Observe all wire and pin NAMES when connecting equipment!!!**  
All wire numbers are minimum AWG sizes. All wire MUST be stranded.  
Refer to NL205H for MAXIMUM wiring distances and standard wire colors.  
**NOTE:** Fire indication at each master station is supplementary only. The NC205 system IS NOT intended for use as a fire alarm evacuation system.

**Systems using ENHANCED type stations (IR254-IR259) MAY NOT be expanded past 128 stations!!**