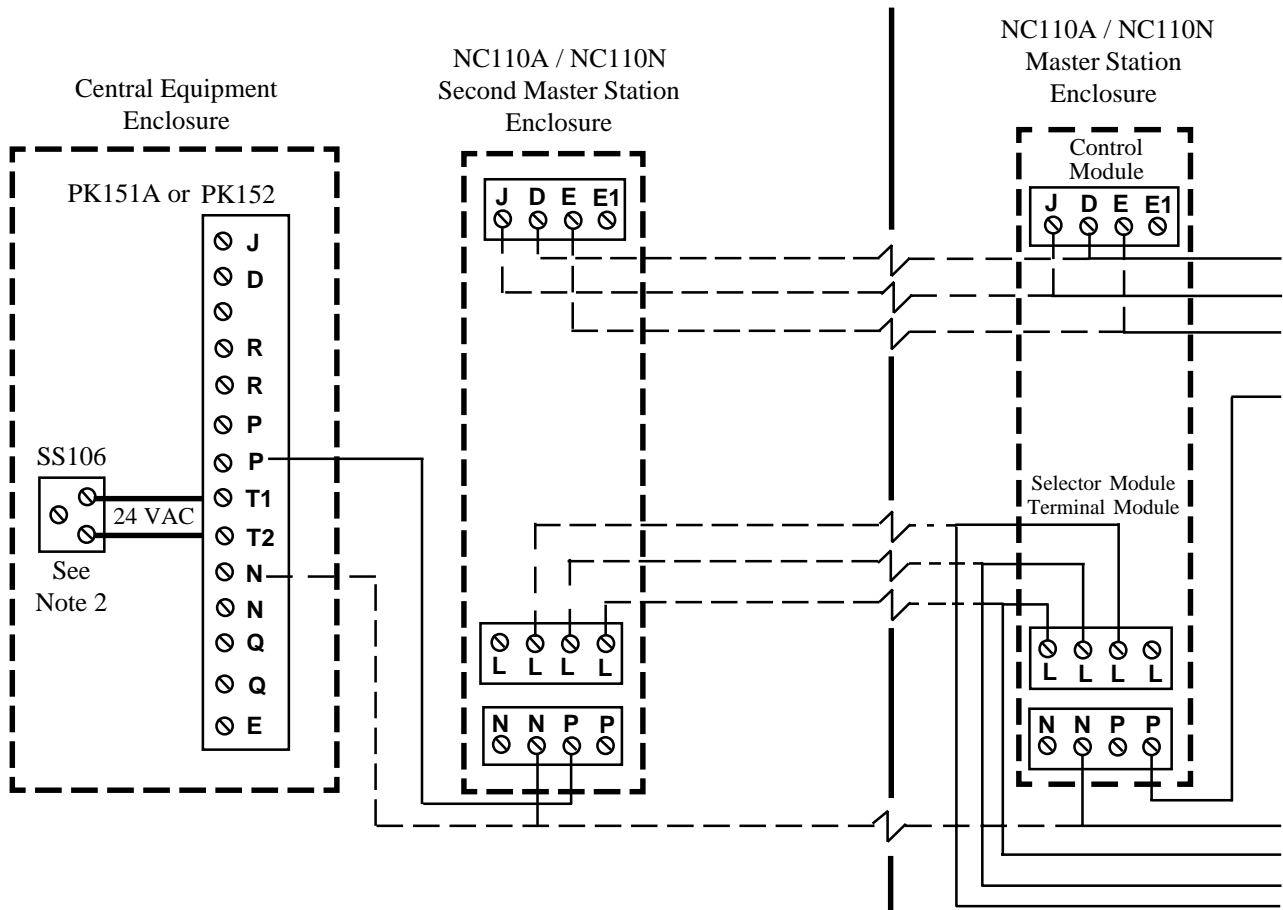


NC110A / NC110N NURSE CALL SYSTEM
SECOND MASTER WIRING DIAGRAM

NOTE: This wiring shown is for the 2nd NC110 Series Master Station only and is to be used in addition to the wiring needed for the first Master Station. Each Master Station requires its own PK151A / PK152 control unit, SS106 transformer and UL Housing.



Notes

1. Main supply circuit, connect to 117 VAC, 60Hz (40 watts max). Use #18 gauge wire minimum. SS106 transformer rating is 24 VAC, 30VA maximum.
2. Terminal identifications shown are not in actual order.
3. All common wires are #18 gauge. All other wires are #22 gauge.

**NOTE: SEE NC110 SYSTEM WIRING MANUAL
NO. IL381 FOR BALANCE OF CONNECTIONS!!**

Alpha Communications

42 Central Drive
Farmingdale NY 11735-1202

Toll-Free Technical Line 1-800-666-4800

Phone (631) 777-5500 Fax (631) 777-5599

Internet: www.AlphaCommunications.com

Email: info@alphacommunications.com



TITLE: NC110 SECOND MASTER WIRING DIAGRAM

MATL: MEL

DATE: 06/2013

APP: NC110A / NC110N NURSE CALL SYSTEM

REV: 3

PAGE: NL301A