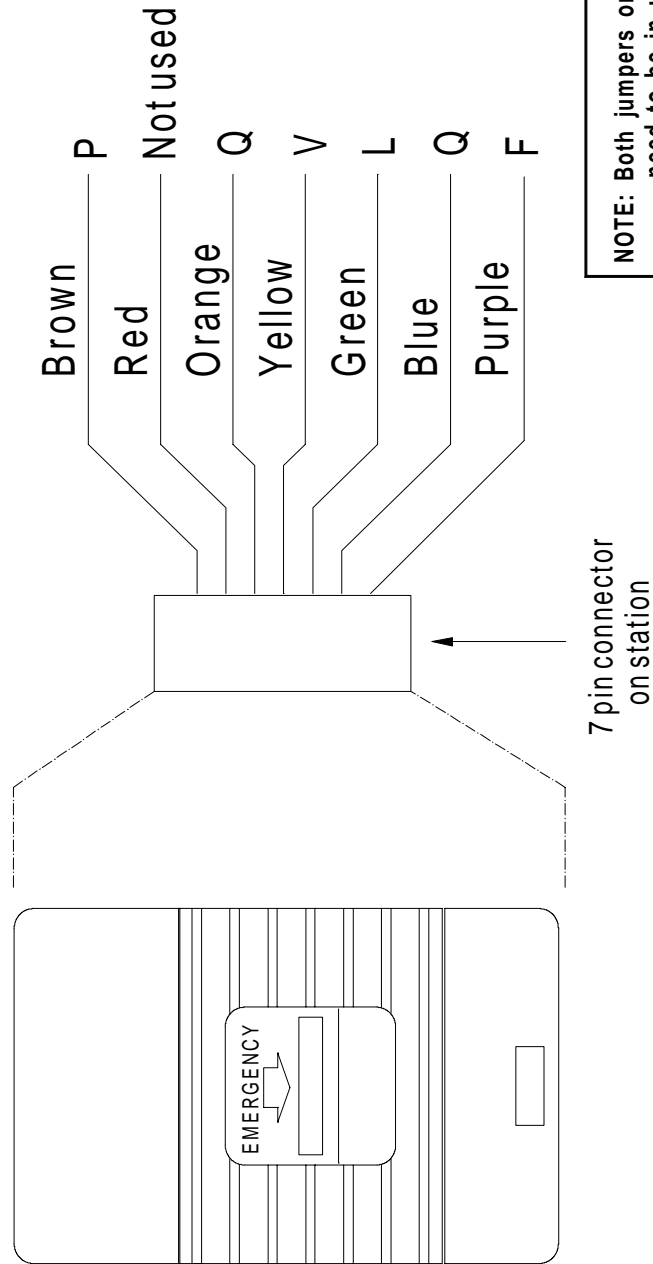



This diagram is an addendum to IL381 Rev. 10 - 12/2000.
Refer to the manual for complete wiring and installation instructions.



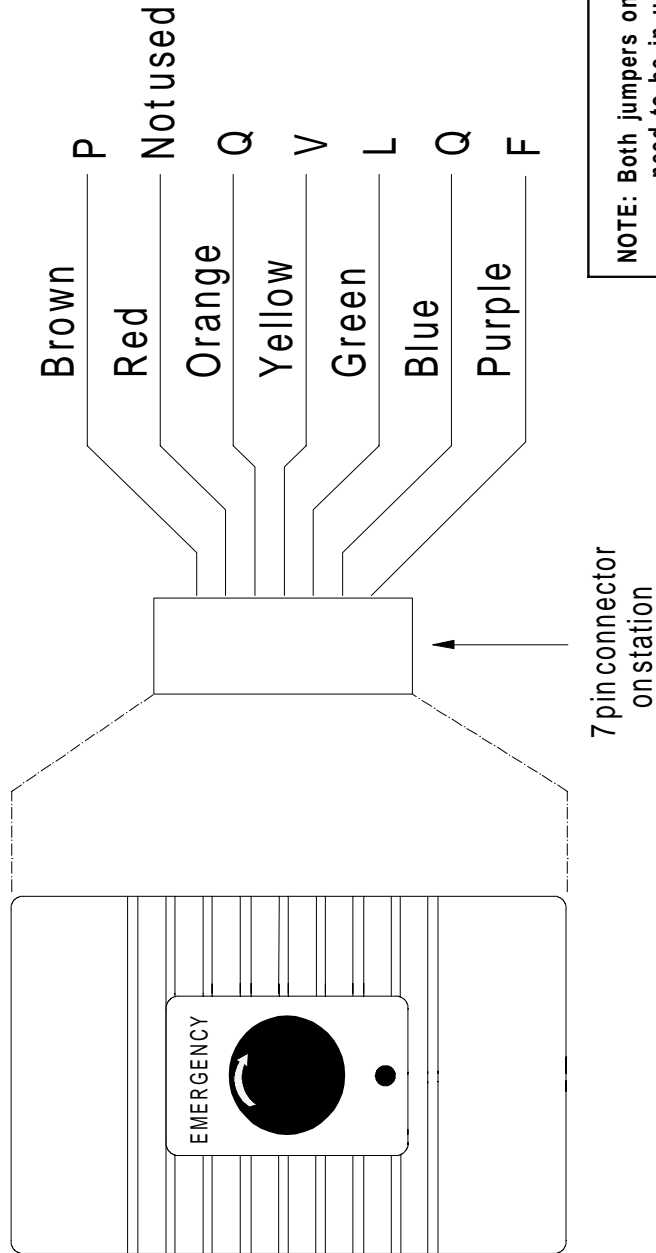
NOTE: Both jumpers on back of station need to be in up position!



PLEASE NOTE: BOTH 'Q' TERMINALS MUST BE JUMPED TOGETHER!

Cross Reference Diagram (NL307) for SF337C Stations in NC110N, NC150N, NC200N Applications

This diagram is an addendum to IL381 Rev. 10 - 12/2000.
Refer to the manual for complete wiring and installation instructions.



NOTE: Both jumpers on back of station need to be in up position!



PLEASE NOTE: BOTH 'Q' TERMINALS MUST BE JUMPED TOGETHER!