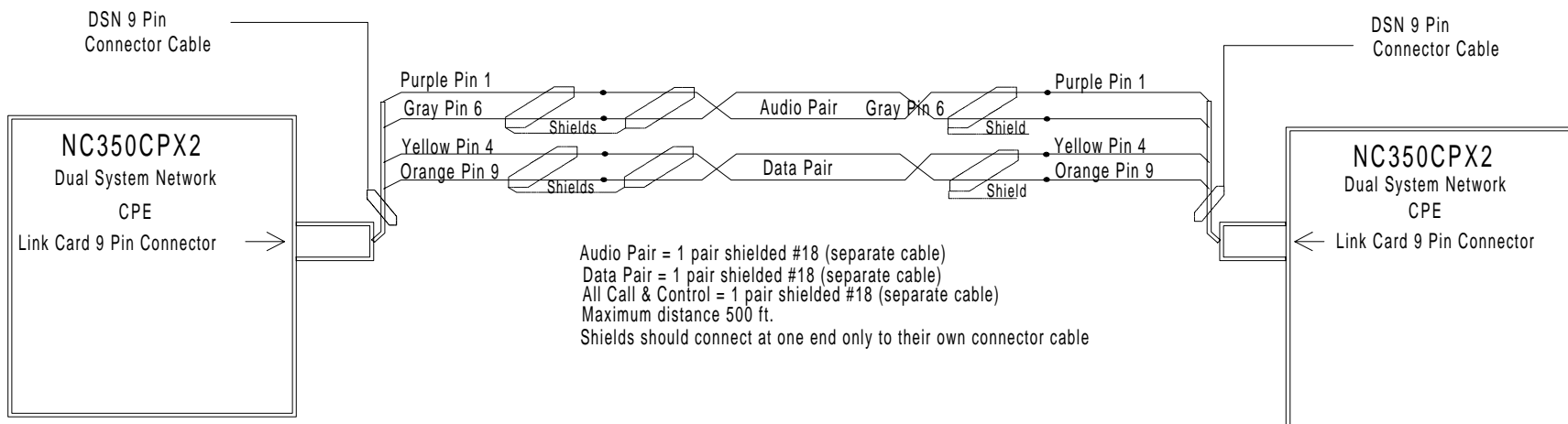


Minimum Cable Requirements for DSN (NC350CP)



TekTone®

TITLE: Dual System Network Wiring Specifications
 APP: NC300 NURSE CALL SYSTEM

MATL: DE
 REV: 6

DATE: 03/18/99
 PAGE: NL404