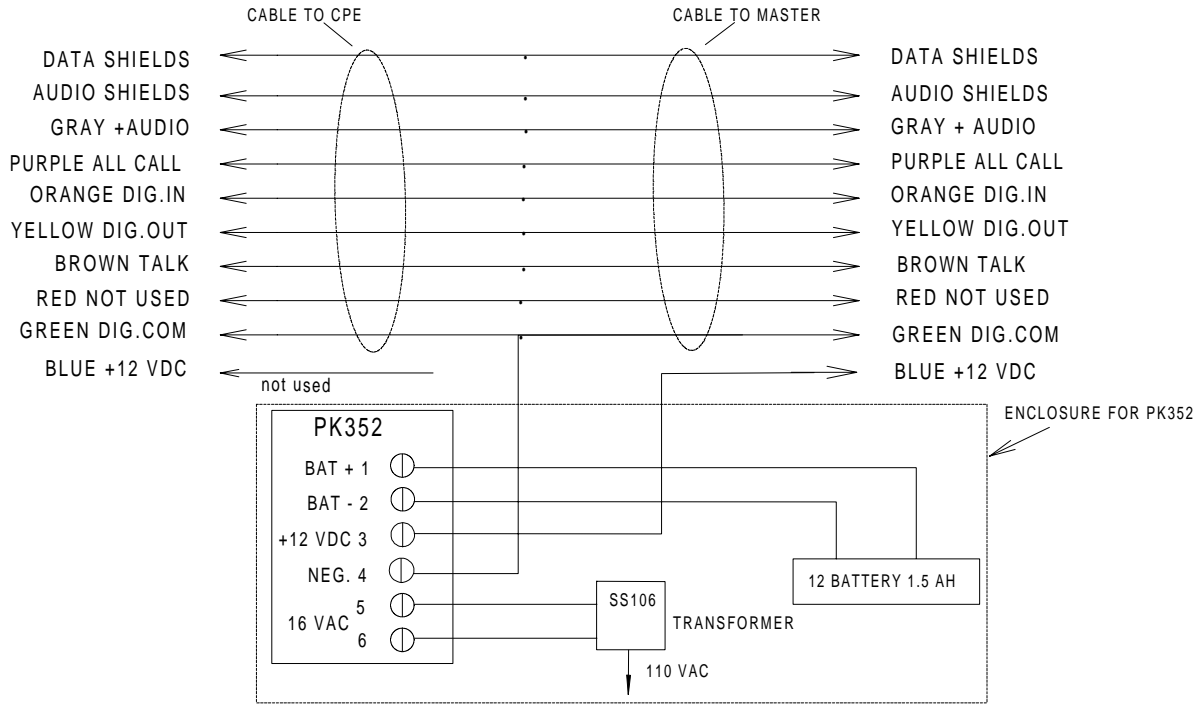
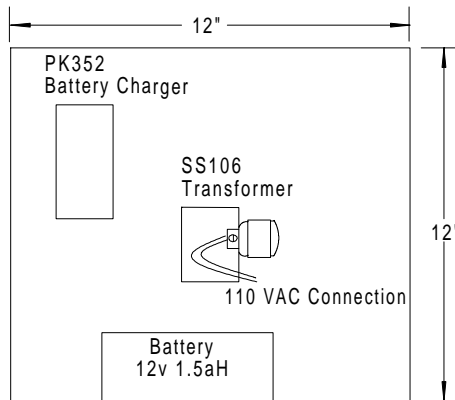


NOTE: ONLY NEEDED WHEN USING SUPERVISED CODE STATIONS (SF332A/SF341B)
AND SUPERVISED DOME LIGHTS (LI384A)

ONLY ONE MASTER IS REQUIRED TO BE CONNECTED TO PK352 PER SYSTEM



PK352 HOUSING



Equipment Location: Locate with NC350C CPE



TekTone®

TITLE: WIRING DIAGRAM
PK352 BATTERY CHARGER
APP: NC300 NURSE CALL SYSTEM

MATL: DE
REV: 7

DATE: 03/17/99
PAGE: NL406