

SYSTEM/MODEL: VC-M

MODIFICATION: Using VC-K handsets with an existing VAM system

DIFFICULTY LEVEL: 2 - Easy/moderate - Component connection to external points.

- COMPONENTS REQUIRED:**
1. Resistors:
330 ohm, 1/4 Watt
470 - 2.2K ohm, 1/4 Watt
 2. Capacitor: 22 μ fd, 16V
 3. Relay: Aiphone model RY-PA.

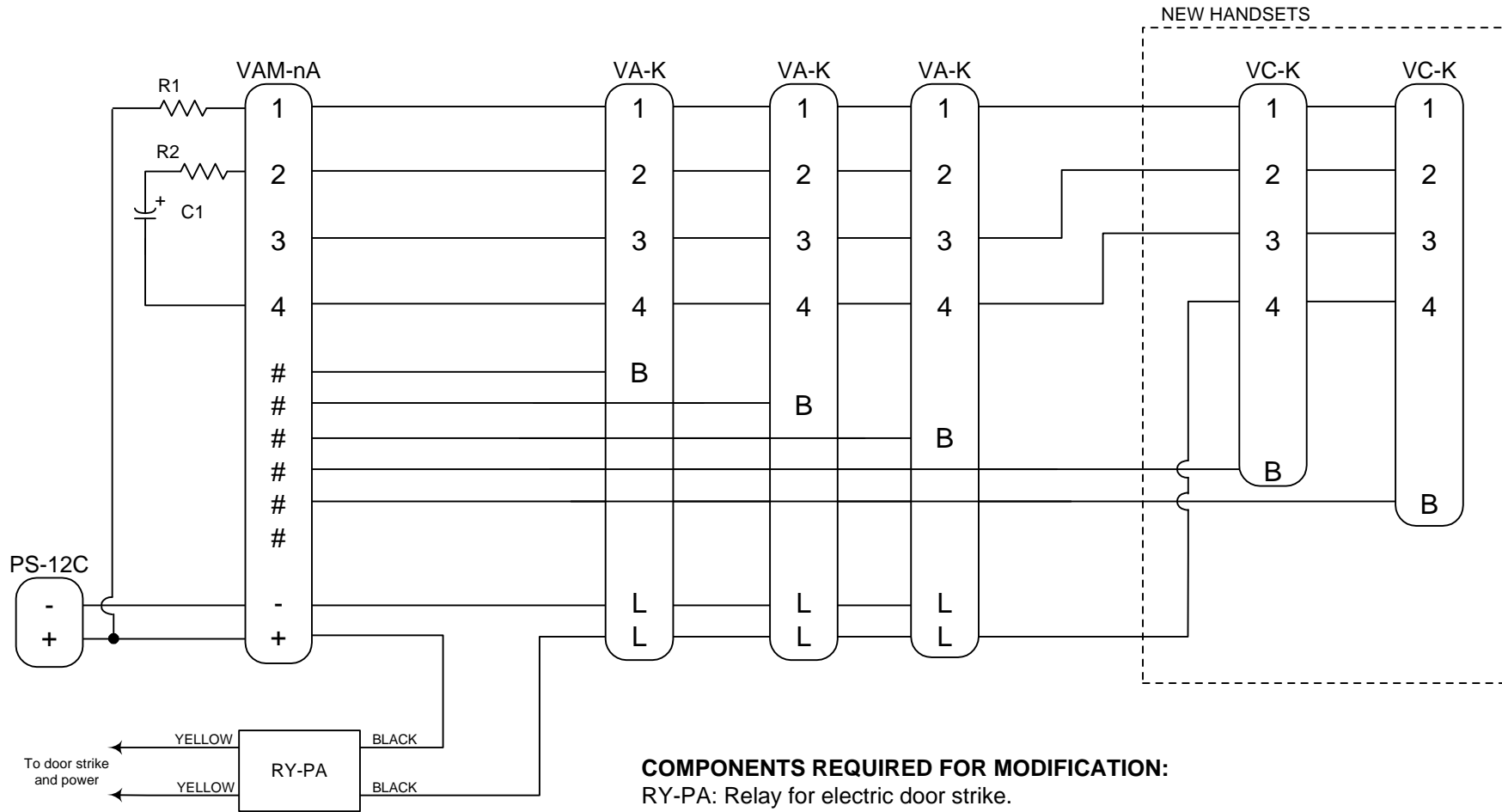
- INSTR/OPERATIONS:**
1. Install components at VAM as shown on diagram.
 2. Wire from "3" terminal on VA-K to "2" terminal of VC-K.
 3. Wire from "4" terminal of VA-K to "3" terminal of VC-K.
 4. Wire from "L" terminal of VA-K to "4" terminal of VC-K.
 5. Add RY-PA relay as shown, with one "L" from VA-K going to "4" of VC-K and BLACK wire of RY-PA. Other "L" terminal of VA-K to other BLACK of RY-PA and "+" on the VAM entry panel. YELLOW wires on the RY-PA provide a dry contact closure.

REFERENCE DRAWING #: 1298-1155

Aiphone's product warranty applies to products properly modified using these instructions.
However, if a unit is damaged as a result of improper modification, the warranty does not apply.

MODIFICATION DIAGRAM

USING VC-K'S WITH AN EXISTING VAM SYSTEM



COMPONENTS REQUIRED FOR MODIFICATION:

RY-PA: Relay for electric door strike.

R1: 330Ω, 1/4W

R2: 470Ω to 2.2KΩ, 1/4W.

(Use a lower value resistor in cases where louder communication volume is required.)

C1: 22 μfd, 16V